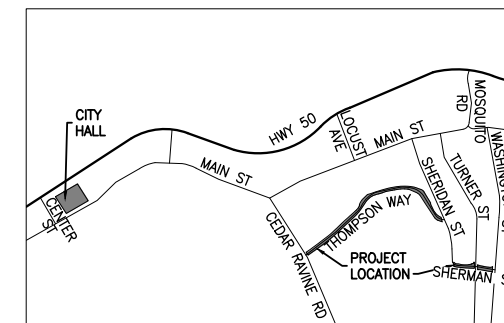


CITY OF PLACERVILLE, CALIFORNIA
ENGINEERING DEPARTMENT
PROJECT PLANS FOR:
PHASE 1 – UTILITY PLAN
THOMPSON WAY REPAVING PROJECT (CIP #42206)
SHERMAN STREET REPAVING PROJECT (CIP #42208)



VICINITY MAP
NO SCALE

BASIS OF BEARING

THE BASIS OF BEARINGS IS NAD83 CALIFORNIA COORDINATE SYSTEM ZONE 2 (2017.5 EPOCH), ESTABLISHED FROM OBSERVATIONS TO FOUND NGS MONUMENTS PID AC9233, AC9231, AND JS4060. THE DISTANCES AND COORDINATES SHOWN HEREON ARE GROUND MEASUREMENTS. MULTIPLY THE DISTANCES AND COORDINATES SHOWN HEREON BY 0.99993386 FROM CONTROL POINT #108 TO OBTAIN THE 2010 EPOCH GRID COORDINATE DATUM OF NGS.

NAVD88 VERTICAL DATUM BM PID - AC9231 EL-1,853.3'
2 1/2" BRASS DISC STAMPED CA-HPGN-DENSIFICATION STA. 03-EM 1994

GEO TECHNICAL ENGINEER

GEOCON CONSULTANTS, INC.
3160 GOLD VALLEY DRIVE, SUITE 800
RANCHO CORDOVA, CA 95742
JEREMY J. ZORNE, PE, GE
916-852-9118

LAND SURVEYOR

UNICO ENGINEERING
80 BLUE RAVINE ROAD, SUITE 250
FOLSOM, CA 95630
ROB MARKES
916-900-6623

CIVIL ENGINEER

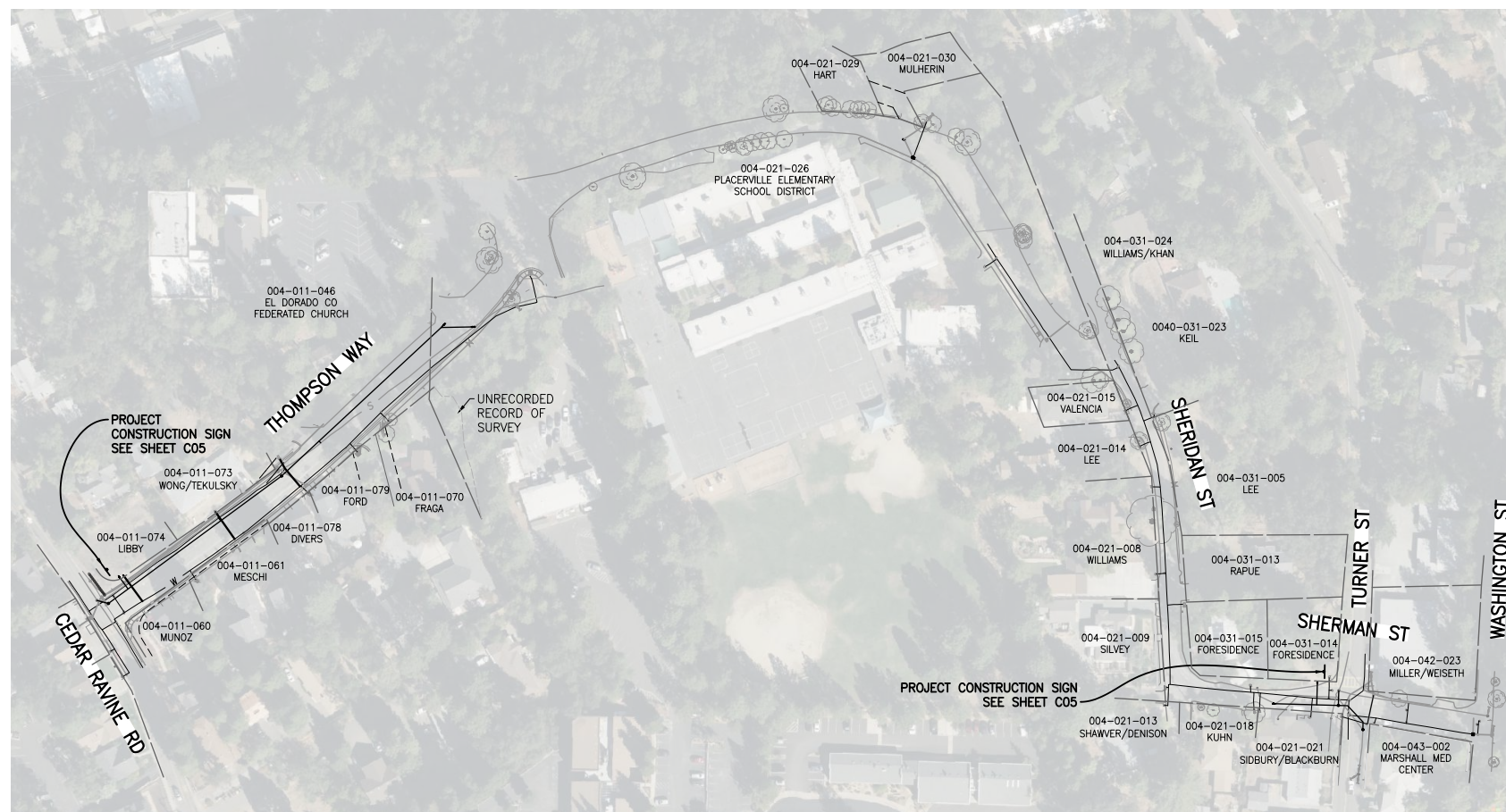
RICK ENGINEERING COMPANY
2525 EAST BIDWELL STREET
FOLSOM, CA 95630
M. SCOTT LILLIBRIDGE, P.E.
916-638-8200

OWNER

CITY OF PLACERVILLE
3101 CENTER STREET
PLACERVILLE, CA 95667
530-621-2489

LEGEND

ITEM	EXISTING	PROPOSED
SAWCUT	---	---
EDGE OF PAVEMENT	---	---
SIDEWALK	---	---
STRIPING	---	---
WALL	---	---
MINOR CONTOUR	---	---
MAJOR CONTOUR	---	---
CHAIN LINK FENCE	---	---
POST AND CHAIN FENCE	---	---
WOOD FENCE	---	---
DRAIN INLET	---	---
FIRE HYDRANT	---	---
WATER METER	---	---
WATER VALVE	---	---
SEWER MANHOLE	---	---
SEWER CLEANOUT	---	---
MAILBOX	---	---
POWER POLE	---	---
SIGN	---	---



SHEET INDEX

NO.	SHEET TITLE
C01	COVER SHEET
C02	NOTES
C03	DETAILS
C04	DETAILS
C05	DETAILS
C06	PLAN & PROFILE-THOMPSON WAY
C07	PLAN & PROFILE-THOMPSON WAY
C08	PLAN & PROFILE-SHERMAN STREET

RECORD DRAWING CERTIFICATE

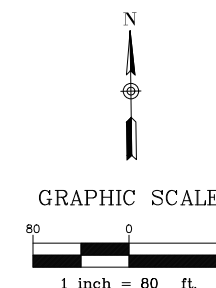
THIS SET OF PLANS, HAVING BEEN REVIEWED BY ME, REFLECT ALL APPROVED REVISIONS TO THE PROJECT KNOWN TO ME, AND ALL FIELD DEVIATIONS TO THE PLANNED IMPROVEMENTS BY THE CONSTRUCTION CONTRACTOR, AS REPORTED TO ME AS OF _____, IT DOES NOT REPRESENT FIELD VERIFICATION OF PLANNED IMPROVEMENTS BY ME.

P.E., RESIDENT ENGINEER

P.E., CITY ENGINEER

APPROVED BY CITY OF PLACERVILLE

Melissa Savage 3/25/25
MELISSA SAVAGE, P.E., DATE
RCE 72264
CITY ENGINEER



NO.	REVISIONS	DATE	APPROVED

PH. 1 - THOMPSON WAY & SHERMAN STREET
UTILITY PLAN (CIP #42206 & #42208)
COVER SHEET
PLACERVILLE, CALIFORNIA



2525 EAST BIDWELL STREET
FOLSOM, CA 95630
916-638-8200
rickengineering.com

RICK

JOB #: 20092-A
DATE: 3/25/2025
DESIGN: MAM
CHK'D: FCA

SHEET NUMBER
C01

SHEET NO. 1
OF 8

RICK ENGINEERING COMPANY NOTES

- NEITHER THE OWNER, NOR THE ENGINEERING OF WORK, WILL ENFORCE SAFETY MEASURES OR REGULATIONS. THE CONTRACTOR SHALL DESIGN, CONSTRUCT AND MAINTAIN ALL SAFETY DEVICES, INCLUDING SHORING, AND SHALL BE SOLELY RESPONSIBLE FOR CONFORMING TO ALL LOCAL, STATE AND FEDERAL SAFETY AND HEALTH STANDARDS, LAWS AND REGULATIONS.
- CONTRACTOR AGREES THAT HE SHALL ASSUME SOLE AND COMPLETE RESPONSIBILITY FOR JOB SITE CONDITIONS DURING THE COURSE OF CONSTRUCTION OF THIS PROJECT, INCLUDING SAFETY OF ALL PERSONS AND PROPERTY; AND THAT THIS REQUIREMENT SHALL APPLY CONTINUOUSLY AND NOT BE LIMITED TO NORMAL WORKING HOURS; AND THAT THE CONTRACTOR SHALL DEFEND, INDEMNIFY AND HOLD THE OWNER AND ENGINEER HARMLESS FROM ANY AND ALL LIABILITY, REAL OR ALLEGED, IN CONNECTION WITH THE PERFORMANCE OF WORK ON ACCEPTING LIABILITY ARISING FROM THE SOLE NEGLIGENCE OF THE OWNER OR THE ENGINEER.
- THE CONTRACTOR SHALL BE RESPONSIBLE TO INSURE THAT ALL GRADING IS DONE AND STORM DRAINS BUILT IN ACCORDANCE WITH THESE PLANS. IF THERE ARE ANY QUESTIONS REGARDING THESE PLANS OR FIELD STAKES, THE CONTRACTOR SHALL REQUEST AN INTERPRETATION BEFORE BEGINNING WORK. THE CONTRACTOR SHALL ALSO TAKE THE NECESSARY STEPS TO PROTECT THE PROJECT AND ADJACENT PROPERTY FROM ANY EROSION AND SILTATION THAT RESULT FROM HIS OPERATIONS BY APPROPRIATE MEANS (GRAVEL BAGS, HAY BALES, TEMPORARY DESILTING BASINS, DIKES, SHORING, ETC.) UNTIL SUCH TIME THAT THE PROJECT IS COMPLETED AND ACCEPTED FROM MAINTENANCE BY WHATEVER OWNER, AGENCY OR ASSOCIATIONS IS TO BE ULTIMATELY RESPONSIBLE FOR MAINTENANCE.
- CONTRACTOR SHALL MAKE EXPLORATORY EXCAVATIONS AND LOCATE EXISTING UNDERGROUND FACILITIES SUFFICIENTLY AHEAD OF CONSTRUCTION TO PERMIT REVISIONS TO PLANS IF ANY REVISIONS ARE NECESSARY BECAUSE OF ACTUAL LOCATIONS OF EXISTING FACILITIES.
- LOCATION AND ELEVATION OF IMPROVEMENTS TO BE MET BY WORK TO BE DONE SHALL BE CONFIRMED BY FIELD MEASUREMENTS PRIOR TO CONSTRUCTION OF NEW WORK.
- BEFORE EXCAVATING FOR THIS CONTRACT, THE CONTRACTOR SHALL VERIFY THE LOCATION AND DEPTH OF ALL UNDERGROUND UTILITIES WITH THE APPROPRIATE UTILITY COMPANY.
- ANY QUESTION RAISED RELATIVE TO THE ACCURACY OF IMPROVEMENT INSTALLATION SHALL NOT BE RAISED SUBSEQUENT TO COMPLETION OF THE WORK UNLESS ALL SURVEY STAKES ARE MAINTAINED INTACT. SHOULD SUCH STAKES NOT BE PRESENT AND VERIFIED AS TO THEIR ORIGIN, NO CLAIM FOR ADDITIONAL COMPENSATION FOR CORRECTION SHALL BE PRESENTED TO ANY PARTY AND SUCH WORK SHALL BE CORRECTED BY THE CONTRACTOR AT HIS EXPENSE.
- THE CONTRACTOR SHALL FOLLOW THE GUIDELINES AND REGULATIONS AS SET FORTH BY OSHA.
- WHERE TRENCHES ARE WITHIN EASEMENTS OR WITHIN 10' OF ANY BUILDING, A SOILS REPORT SHALL BE SUBMITTED TO THE ENGINEER OF WORK BY A QUALIFIED GEOTECHNICAL ENGINEER WHICH INDICATES THAT THE TRENCH BACKFILL WAS COMPACTED UNDER THE OBSERVATION OF THE GEOTECHNICAL ENGINEER AND IN ACCORDANCE WITH THE ABOVE NAMED SPECIFICATIONS. INSPECTION BY PROJECT GEOTECHNICAL ENGINEER.
- THE EXISTENCE AND LOCATION OF UNDERGROUND UTILITIES OR STRUCTURES SHOWN ON THESE PLANS WERE OBTAINED FROM A SEARCH OF THE AVAILABLE RECORDS. TO THE BEST OF OUR KNOWLEDGE, THERE ARE NO OTHER EXISTING UTILITIES EXCEPT AS SHOWN ON THESE PLANS. THE CONTRACTOR IS REQUIRED TO TAKE PRECAUTIONARY MEASURES TO PROTECT THE UTILITY LINES SHOWN HEREON AND ANY OTHER NOT OF RECORD OR NOT SHOWN ON THESE PLANS. ALL DAMAGES THERETO CAUSED BY THE CONTRACTOR SHALL BE REPAIRED TO THE APPROPRIATE SPECIFICATIONS AND AT THE EXPENSE OF THE CONTRACTOR.
- CUT AND FILL SLOPES SHALL BE TRIMMED TO THE FINISH GRADE TO PRODUCE A SMOOTH SURFACE AND UNIFORM CROSS SECTION. THE SLOPE OF THE EXCAVATIONS OR EMBANKMENTS SHALL BE SHAPED AND TRIMMED AS SHOWN ON THE PLANS AND LEFT IN A NEAT AND ORDERLY CONDITION. ALL STONES, ROOTS OR OTHER WASTE MATTER EXPOSED ON EXCAVATION OR EMBANKMENT SLOPES SHALL BE REMOVED AND DISPOSED OF OFF SITE IN A LEGAL MANNER BY THE CONTRACTOR.
- IT IS THE CONTRACTOR'S RESPONSIBILITY TO LOCATE ALL UNDERGROUND PIPELINES, TELEPHONE AND ELECTRIC CONDUITS AND STRUCTURES IN ADVANCE OF ANY CONSTRUCTION AND TO OBSERVE ALL POSSIBLE PRECAUTIONS TO AVOID ANY DAMAGE TO SUCH. THE ENGINEER AND/OR OWNER WILL NOT GUARANTEE ANY LOCATIONS AS SHOWN ON THESE PLANS OR THOSE OMITTED FROM SAME.
- CONTRACTOR SHALL TAKE THE NECESSARY PRECAUTIONS REQUIRED TO PROTECT ADJACENT PROPERTIES DURING THE GRADING OPERATIONS.
- ALL FRAMES, COVERS, VALVE BOXES AND MANHOLES SHALL BE ADJUSTED TO FINISHED GRADE UPON COMPLETION OF PAVING OR RELATED CONSTRUCTION.
- THE SOILS REPORT PREPARED BY GEOCON CONSULTANTS, INC. (PROJECT NO. S2827-05-01), TITLED GEOTECHNICAL INVESTIGATION PLACERVILLE REPAVING PROJECT, DATED SEPTEMBER 2024, AND ALL ADDENDA THERETO, SHALL BE CONSIDERED AS PART OF THESE GRADING PLANS. ALL GRADING SHALL BE DONE IN ACCORDANCE WITH THE RECOMMENDATIONS AND SPECIFICATIONS CONTAINED IN SAID REPORT.
- ALL GRADING SHALL BE DONE UNDER THE OBSERVATION OF A QUALIFIED GEOTECHNICAL ENGINEER. ALL AREAS TO BE FILLED SHALL BE PREPARED TO BE FILLED AND ALL FILL SHALL BE PLACED IN ACCORDANCE WITH THE RECOMMENDED GRADING SPECIFICATIONS AND SPECIAL PROVISIONS ATTACHED TO THE SOILS REPORT FOR THIS PROJECT. IT SHALL BE THE CONTRACTOR'S RESPONSIBILITY TO PLACE, SPREAD, WATER AND COMPACT THE FILL IN STRICT ACCORDANCE WITH THESE SPECIFICATIONS. INSPECTION BY PROJECT GEOTECHNICAL ENGINEER.
- OBSERVATIONS AND COMPACTION TESTS SHALL BE MADE BY THE GEOTECHNICAL ENGINEER DURING THE FILLING AND COMPACTION OPERATIONS SO THAT THEY CAN STATE THEIR OPINION THAT THE FILL WAS CONSTRUCTED IN ACCORDANCE WITH THE EARTHWORK SPECIFICATIONS. INSPECTION BY PROJECT GEOTECHNICAL ENGINEER.

- IN THE CASE OF CONFLICTS, THE REQUIREMENTS OF THE EARTHWORK SPECIFICATIONS PREPARED FOR THE PROJECT BY THE GEOTECHNICAL ENGINEER SHALL GOVERN THE REQUIREMENTS OF THIS PLAN AND THESE NOTES. PLANS SHALL BE REVISED ACCORDINGLY.
- GRADING CONTRACTOR IS TO COORDINATE THE GRADING OPERATION WITH UTILITY COMPANIES PERTAINING TO POLE REMOVAL, ADJUSTING WATER BLOWOFFS AND WATER FACILITIES TO GRADE OR ANY OTHER UTILITY ADJUSTMENTS.
- ALL DIMENSIONS AND CURVE DATA IS TO BACK OF CURB, UNLESS OTHERWISE NOTED.
- STATIONING TO DI'S IS TO THE MIDDLE OF THE GRATE, FLOWLINE, OR AT THE BACK OF CURB, UNLESS NOTED OTHERWISE.
- THE CONTRACTOR IS REQUIRED TO TAKE PRECAUTIONARY MEASURES TO PROTECT THE UTILITY LINES SHOWN HEREON AND ANY OTHER EXISTING LINES NOT OF RECORD OR NOT SHOWN ON THESE PLANS.
- THE GENERAL CONTRACTOR IS REQUIRED TO KEEP AND MAINTAIN A SIGNED SET OF THESE PLANS ON SITE AT ALL TIMES FOR THE USE OF THE ENGINEER OF WORK, GEOTECHNICAL ENGINEER AND THE AGENCY INSPECTORS. THE GENERAL CONTRACTOR SUPERINTENDENT IS REQUIRED TO UPDATE SAID PLANS WITH AS-BUILT INFORMATION ON A DAILY BASIS AS WORK PROGRESSES. SAID AS-BUILT INFORMATION SHALL BE GIVEN TO THE ENGINEER OF WORK AT THE COMPLETION OF THE PROJECT AND CERTIFIED BY THE SUPERINTENDENT AS ACCURATE AND COMPLETE.
- DURING CONSTRUCTION, THE CONTRACTOR SHALL PROPERLY GRADE ALL SURFACES TO PROVIDE POSITIVE DRAINAGE AND PREVENT PONDING OF WATER. THE CONTRACTOR SHALL CONTROL SURFACE WATER TO AVOID DAMAGE TO ADJOINING PROPERTIES OR TO FINISHED WORK ON THE SITE. THE CONTRACTOR SHALL TAKE REMEDIAL MEASURES TO PREVENT EROSION OF FRESHLY GRADED AREAS AND UNTIL SUCH TIME AS PERMANENT DRAINAGE AND EROSION CONTROL MEASURES HAVE BEEN INSTALLED.
- NOTIFY USA (811) AT LEAST TWO (2) BUSINESS DAYS IN ADVANCE PRIOR TO ANY EXCAVATION.

GENERAL NOTES

- THE CONTRACTOR SHALL NOT BEGIN WORK SHOWN ON THESE PLANS UNTIL THE ENGINEER'S SIGNATURE OF APPROVAL IS AFFIXED HEREON; ALL APPLICABLE PERMITS, EASEMENT AND RIGHT-OF-WAYS HAVE BEEN OBTAINED; AND THE CITY HAS ISSUED THE NOTICE TO PROCEED.
- ALL CONSTRUCTION AND MATERIALS AND METHODS SHALL BE IN ACCORDANCE WITH THESE PLANS, CITY OF PLACERVILLE STANDARD, AND THE 2024 EDITION OF CALTRANS STANDARD SPECIFICATIONS. RANK SHALL BE IN THE ABOVE LISTED ORDER WHERE DISCREPANCIES EXIST.
- THE CONTRACTOR SHALL CONTACT THE CITY OF PLACERVILLE DEPARTMENT OF PUBLIC WORKS (530-642-5232) AND THE EL DORADO COUNTY FIRE PREVENTION DISTRICT AT LEAST 48 HOURS PRIOR TO THE START OF CONSTRUCTION.
- THE CONTRACTOR SHALL MAKE THE SITE INSPECTIONS PRIOR TO BIDDING TO DETERMINE ALL ITEMS NOT SHOWN AS BID ITEMS WHICH ARE NECESSARY TO PERFORM A COMPLETE AND ACCEPTABLE JOB AND INCLUDE IN BID.
- THE CONTRACTOR SHALL ASSUME SOLE AND COMPLETE RESPONSIBILITY FOR CONSTRUCTION OF THE PROJECT. INCLUDING SAFETY OF ALL PERSONS AND PROPERTY. THIS REQUIREMENT SHALL APPLY CONTINUOUSLY AND NOT BE LIMITED TO NORMAL WORKING HOURS. THE CONTRACTOR SHALL DEFEND INDEMNITY AND HOLD THE OWNER AND THE ENGINEER AND CITY OF PLACERVILLE HARMLESS FROM ANY AND ALL LIABILITY, REAL OR ALLEGED IN CONNECTION WITH THE PERFORMANCE OF WORK ON THIS PROJECT EXCEPTING FOR LIABILITY ARISING FROM THE SOLE NEGLIGENCE OF THE OWNER OR ENGINEER OR CITY OF PLACERVILLE.
- THE CONTRACTOR IS HEREBY NOTIFIED THAT PRIOR TO COMMENCING CONSTRUCTION, HE IS RESPONSIBLE FOR CONTACTING ALL UTILITY COMPANIES FOR VERIFICATION AT THE CONSTRUCTION SITE OF THE LOCATIONS OF ALL UNDERGROUND FACILITIES WHERE SUCH FACILITIES MAY POSSIBLY CONFLICT WITH THE PLACEMENT OF IMPROVEMENTS SHOWN ON THESE PLANS. CALL UNDERGROUND SERVICE ALERT AT 800-642-2444 48 HOURS PRIOR TO THE START OF EXCAVATION.
- THE LOCATIONS OF ALL UNDERGROUND FACILITIES SHOWN ON THIS PLAN ARE APPROXIMATE. A REASONABLE EFFORT HAS BEEN MADE TO LOCATE AND DELINEATE ALL UNDERGROUND FACILITIES. HOWEVER, THE CONTRACTOR ASSUMES NO LIABILITY FOR THE ACCURACY OR COMPLETENESS OF THE EXISTING FACILITIES SHOWN HEREON OR FOR THE EXISTENCE OF OTHER UNDERGROUND UTILITIES OR OBJECTS WHICH MAY BE DISCOVERED BUT ARE NOT SHOWN ON THESE PLANS. THE CONTRACTOR SHALL VERIFY THE LOCATION OF ALL EXISTING FACILITIES AND IMMEDIATELY NOTIFY THE ENGINEER IF ANY SUCH FACILITIES INTERFERE WITH THE CONSTRUCTION OF IMPROVEMENTS.
- PUBLIC SAFETY AND TRAFFIC CONTROL HAVE BEEN PROVIDED IN ACCORDANCE WITH CITY REQUIREMENTS AND AS DIRECTED BY THE ENGINEER. SAFE VEHICULAR AND PEDESTRIAN ACCESS SHALL BE PROVIDED AT ALL TIMES DURING CONSTRUCTION. IT IS THE CONTRACTOR'S RESPONSIBILITY TO COORDINATE ALL TRAFFIC AND PEDESTRIAN CONTROL WITH CITY ENGINEER.
- THE CONTRACTOR SHALL PROVIDE OWN CONSTRUCTION STAKING, IF NECESSARY, PER SPECIFICATION 01160 3.0.
- CONTRACTOR IS RESPONSIBLE FOR THE PROTECTION OF ALL EXISTING MONUMENTS AND OTHER SURVEY MARKERS. MONUMENTS AND SURVEY MARKERS DESTROYED DURING CONSTRUCTION SHALL BE REPLACED AT THE CONTRACTOR'S EXPENSE.
- ALL EXISTING A.C. SURFACES SHALL BE SAWCUT AS SHOWN TO A NEAT STRAIGHT LINE AND REMOVED UNLESS OTHERWISE DIRECTED. THE EXPOSED EDGE SHALL BE SEALED WITH EMULSION TO PAVING. THE EXPOSED BASE MATERIAL SHALL BE REMOVED AND REPLACED AND SHALL BE SEALED PRIOR TO PAVING.
- THE UPPER LIFT (SURFACE COURSE) OF ASPHALT CONCRETE SHALL BE TYPE B, 1/2" MAXIMUM, MEDIUM AGGREGATE GRADING. THE ASPHALT CONCRETE BELOW THE SURFACE COURSE SHALL BE TYPE B, 3/4" MAXIMUM, MEDIUM AGGREGATE GRADING. VISCOCITY GRADE 4000, FOG SEAL SHALL BE SS-1. AGGREGATE BASE SHALL CONFORM TO SECTION 26

- OF THE CALTRANS STANDARD SPECIFICATION.
- THE CONTRACTOR IS TO MAINTAIN ADEQUATE DUST CONTROL PER SECTION 10, CALTRANS SPECIFICATIONS.
- AFTER STRIPING, THE DEBRIS, ANY EXISTING LOOSE FILL, UNSUITABLE SOIL, SILTY SAND DEPOSITS, OR DISTURBED NATURAL SOILS SHALL BE EXCAVATED AND PROPERLY DISPOSED OF TO THE SATISFACTION OF THE CITY AND THE GEOTECHNICAL ENGINEER.
- THE CONTRACTOR SHALL REMOVE ALL ROAD MARKINGS, PAVEMENT MARKS, AND OTHER DELINEATION THAT ARE IN CONFLICT WITH THE DELINEATION SHOWN ON THE PLANS OR AS DIRECTED BY THE CITY ENGINEER. THE CONTRACTOR SHALL LAYOUT ALL PAVEMENT MARKINGS FOR CITY APPROVAL.
- THE CONTRACTOR IS RESPONSIBLE FOR SECURING THE CONSTRUCTION SITE. THE CONTRACTOR SHALL ERECT ADEQUATE VEHICULAR BARRICADES TO THE SATISFACTION OF THE ENGINEER TO PREVENT VEHICULAR TRAFFIC INTO THE SITE.
- THE CONTRACTOR SHALL PROVIDE ONE COMPLETE, ACCURATE SET OF AS-BUILT CHANGES. THE CHANGES SHALL BE PLACED ON A CLEAN SET OF BLUELINE DRAWINGS IN RED AND GIVEN TO THE ENGINEER AT JOB COMPLETION.
- CONSTRUCTION ACTIVITIES SHALL BE RESTRICTED TO THE HOURS OF 7:00 AM TO 5:00 PM MONDAY THROUGH FRIDAY PER SECTION 00700 4.0. ALL EARTHMOVING AND OTHER POWER EQUIPMENT SHALL BE EQUIPPED WITH FACTORY INSTALLED OR EQUIVALENT SILENCERS.
- IF ANY CULTURAL REMAINS ARE ENCOUNTERED DURING SUBSURFACE DEVELOPMENT OR CONSTRUCTION, ALL WORK WITHIN 20 METERS OF THE DISCOVERY MUST BE STOPPED. IN THE UNLIKELY EVENT THAT HUMAN REMAINS ARE DISCOVERED, WORK WILL CEASE AND THE EL DORADO CORNER SHALL BE CONTRACTED.

ABBREVIATIONS

ABBREVIATION	ITEM
Ø	AT
AB	AGGREGATE BASE
AVE	AVENUE
BC	BACK OF CURB
BOT	BOTTOM OF PIPE
C&G	CURB & GUTTER
CHK'D	CHECKED
CIPP	CURED-IN-PLACE PIPE
CL	CENTERLINE
CT	COURT
D	DEPTH
DI	DRAIN INLET
DWG	DRAWING
E	EAST
EDC	EL DORADO COUNTY
EG	EXISTING GRADE
EP	EDGE OF PAVEMENT
EX	EXISTING
FG	FINISHED GRADE
FT	FEET
GB	GRADE BREAK
GL	GUTTER LIP
HMA	HOT MIX ASPHALT
HORIZ	HORIZONTAL
HWY	HIGHWAY
IE, INV	INVERT ELEVATION
L	LEFT
LF	LINEAR FEET
MAX	MAXIMUM
MIN	MINIMUM
MH	MANHOLE
N	NORTH
NE	NORTHEAST
NW	NOTHWEST
NO	NUMBER
PH	PHASE
PVC	POLYVINYL CHLORIDE
R	RIGHT
RCP	REINFORCED CONCRETE PIPE
RD	ROAD
SDR	STANDARD DIMENSIONAL RATIO
SD	STORM DRAIN
SDDI	STORM DRAIN DRAIN INLET
SS	SANITARY SEWER
SSMH	SANITARY SEWER MANHOLE
ST	STREET
STA	STATION
STD	STANDARD
S	SOUTH
SE	SOUTHEAST
SW	SOUTHWEST
TC	TOP OF CURB
TOP	TOP OF PIPE
VERT	VERTICAL
W	WATER
W	WEST



NO.	REVISIONS DESCRIPTIONS	APPROVED	
		DATE	

PH. 1 - THOMPSON WAY & SHERMAN STREET
 UTILITY PLAN (CIP #42206 & #42208)
 NOTES
 PLACERVILLE, CALIFORNIA



2525 EAST BIDWELL STREET
 FOLSOM, CA 95630
 916-638-8200
 rickengineering.com

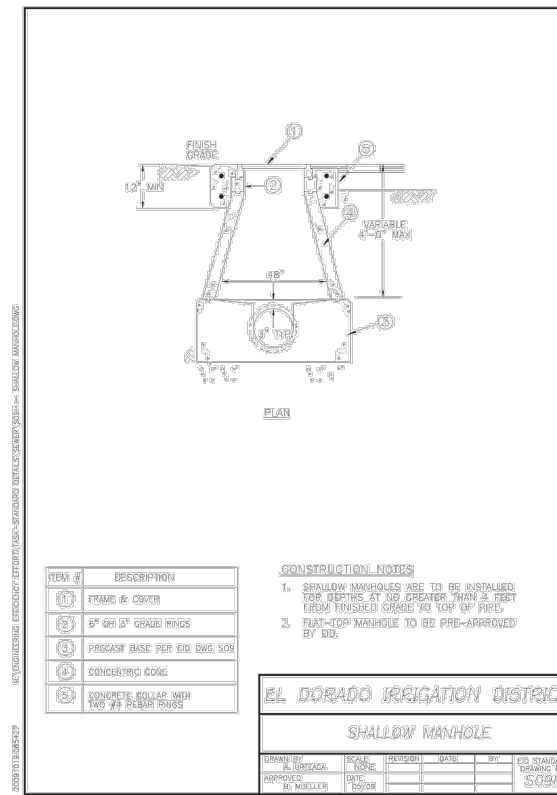
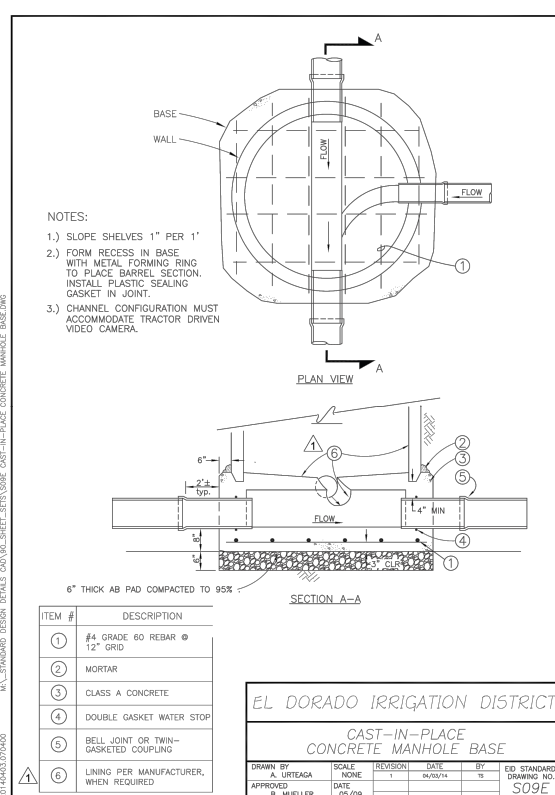
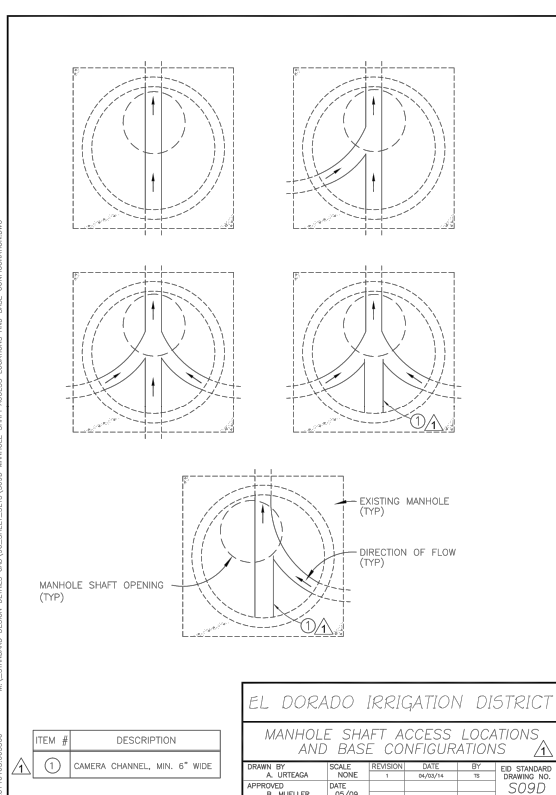
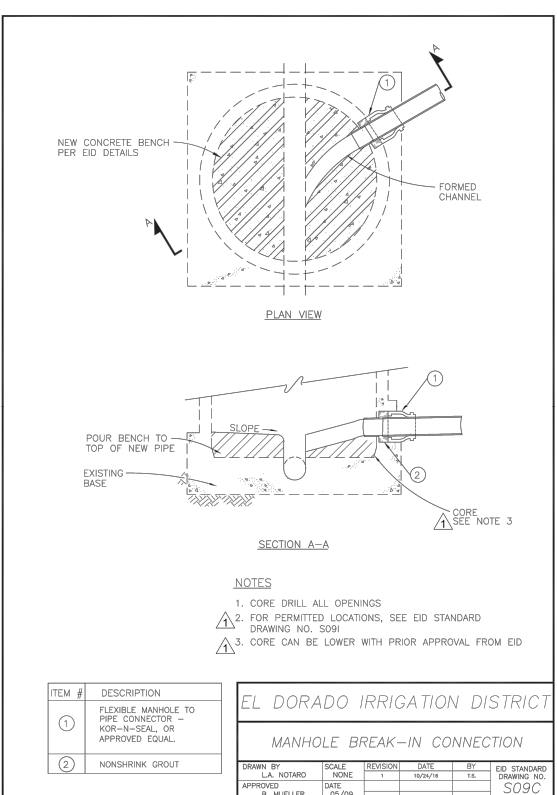
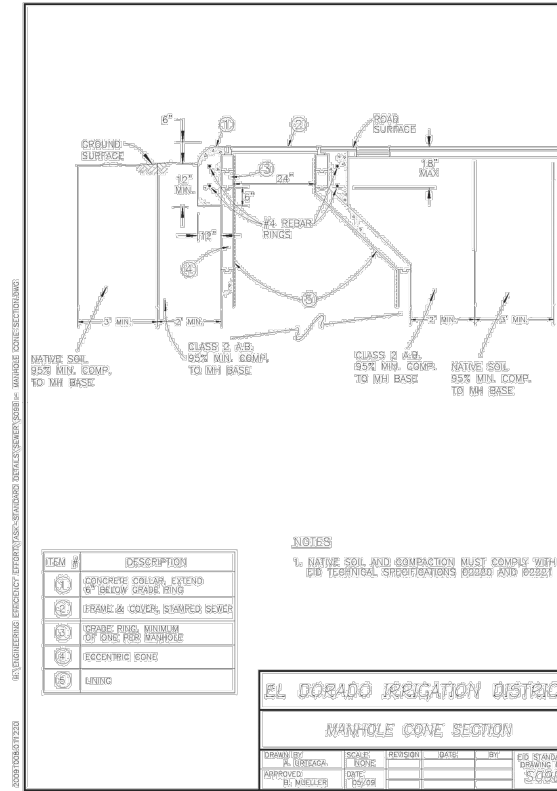
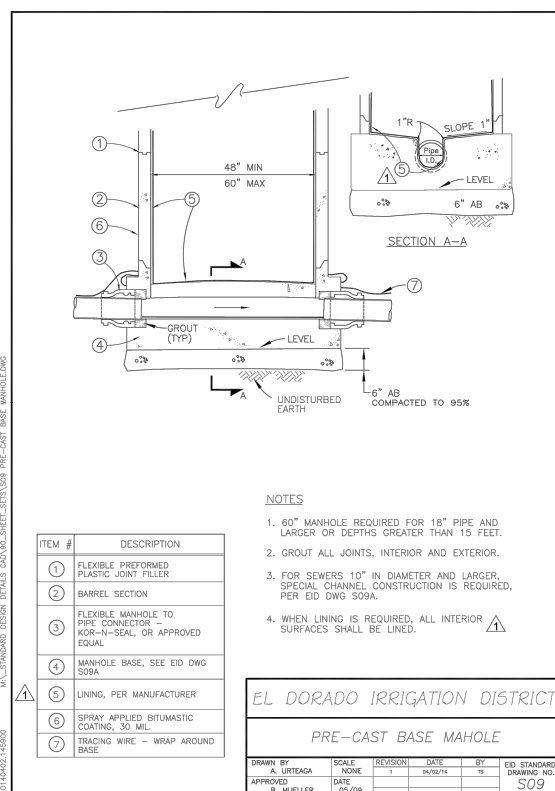
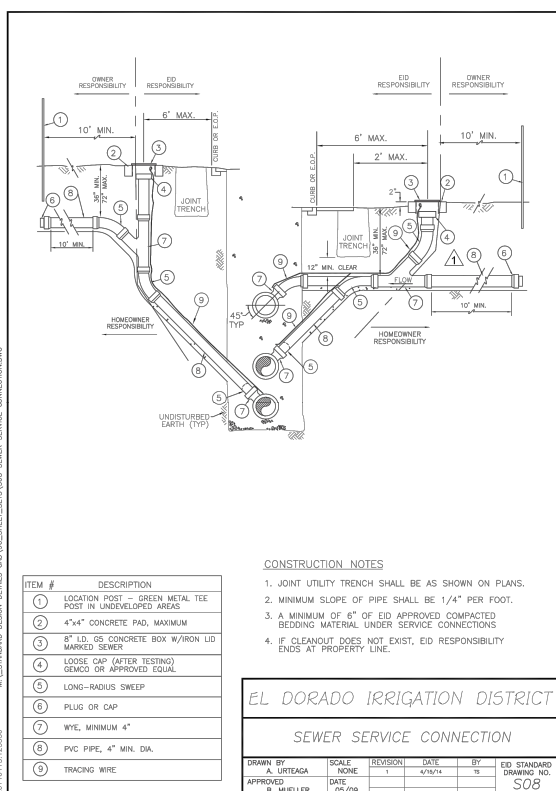
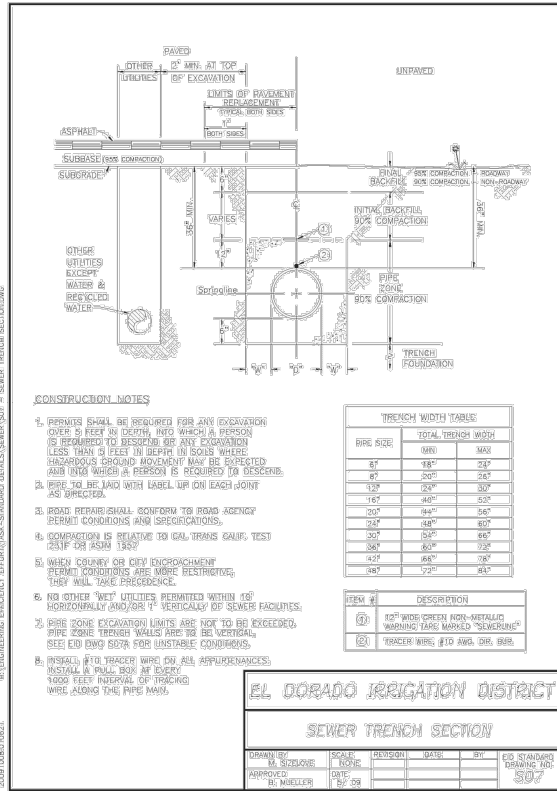


JOB #:	20092-A
DATE:	3/25/2025
DESIGN:	MAM
CHK'D:	FCA

SHEET
 NUMBER
C02

SHEET NO. 2
 OF 8

C:\Rick\Projects\220000\20092_Placerville On-Call Services\20092-A_Thompson Way CIP 42206\Civil\PlanSets\Phase 1--Utility Plan\20092-A_Phase 1--Notes.dwg - plotted by: fadris ON 2025-03-25 @ 20:11 - ctbrenc.ncb_v2.ctb - © 2025 Rick Engineering Company



REVISIONS

NO.	DATE	APPROVED	DESCRIPTIONS

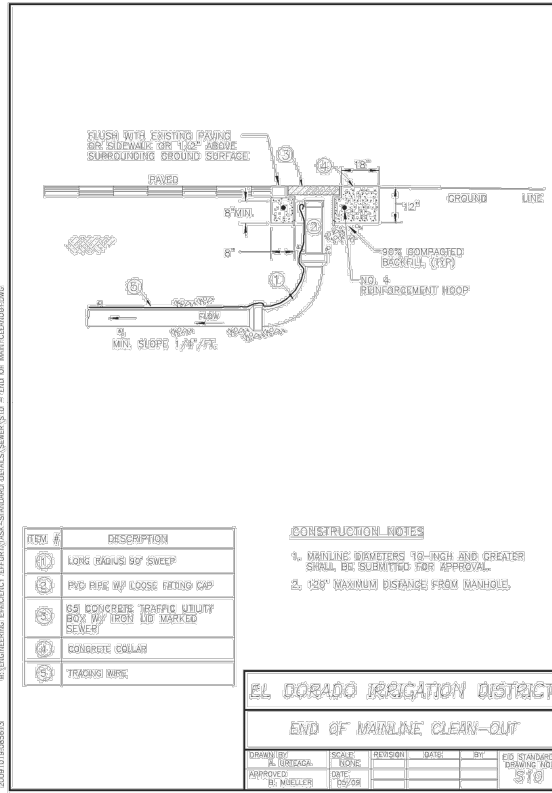
PH. 1 - THOMPSON WAY & SHERMAN STREET
UTILITY PLAN (CIP #42206 & #42208)
DETAILS
PLACERVILLE, CALIFORNIA

2525 EAST BIDWELL STREET
FOLSOM, CA 95630
916-638-8200
rickengineering.com

JOB #: 20092-A
DATE: 3/25/2025
DESIGN: MAM
CHK'D: FCA

SHEET NUMBER
C03

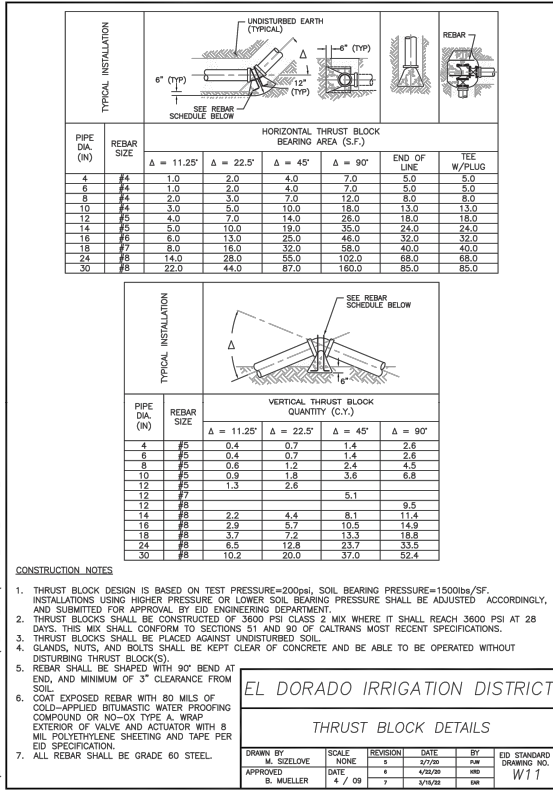
SHEET NO. 3
OF 8



- LONG RADIIUS 90° SWEEP
- PVC PIPE W/ LOSS FITTING CAP
- 60% COMPRESSED BACKFILL (TYP)
- CONCRETE COLLAR
- TRACER WIRE

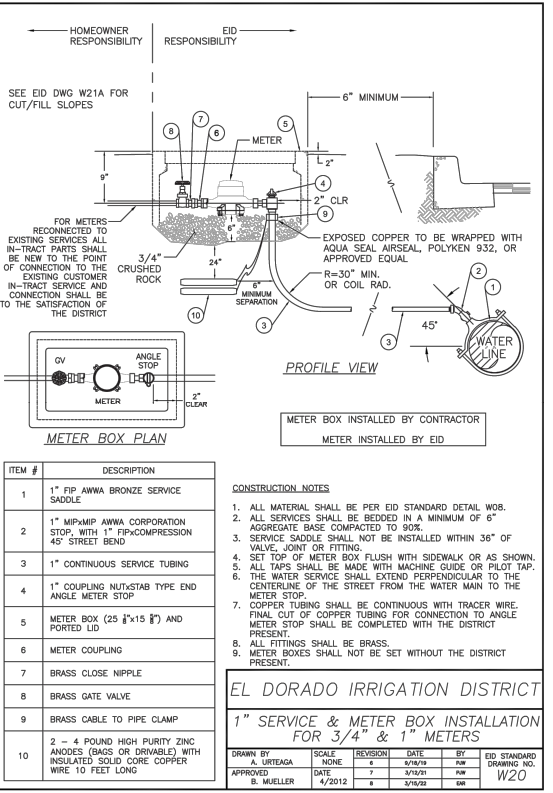
EL DORADO IRRIGATION DISTRICT
END OF MAINLINE CLEAN-OUT

APPROVED: B. MUELLER 4/7/2012



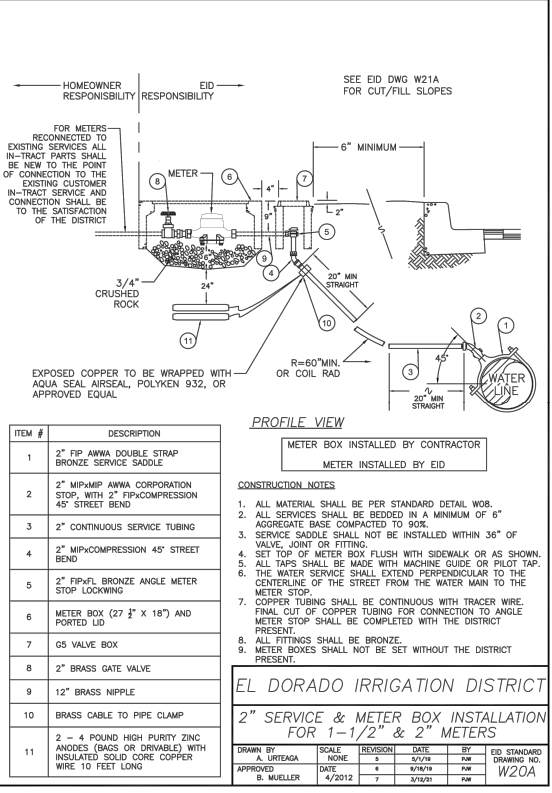
EL DORADO IRRIGATION DISTRICT
THRUST BLOCK DETAILS

APPROVED: B. MUELLER 4/7/2012



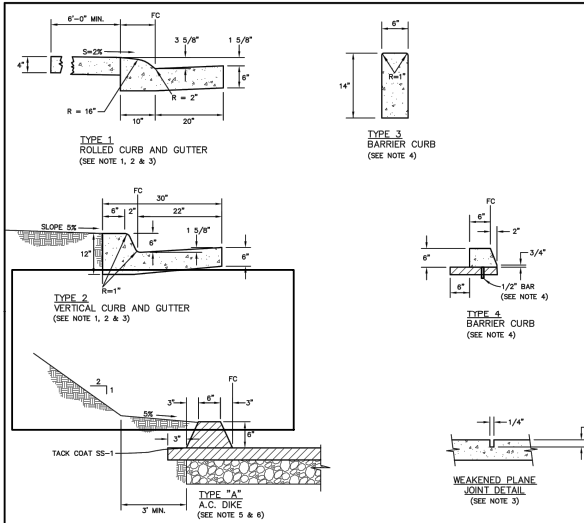
EL DORADO IRRIGATION DISTRICT
1" SERVICE & METER BOX INSTALLATION FOR 3/4" & 1" METERS

APPROVED: B. MUELLER 4/7/2012



EL DORADO IRRIGATION DISTRICT
2" SERVICE & METER BOX INSTALLATION FOR 1-1/2" & 2" METERS

APPROVED: B. MUELLER 4/7/2012



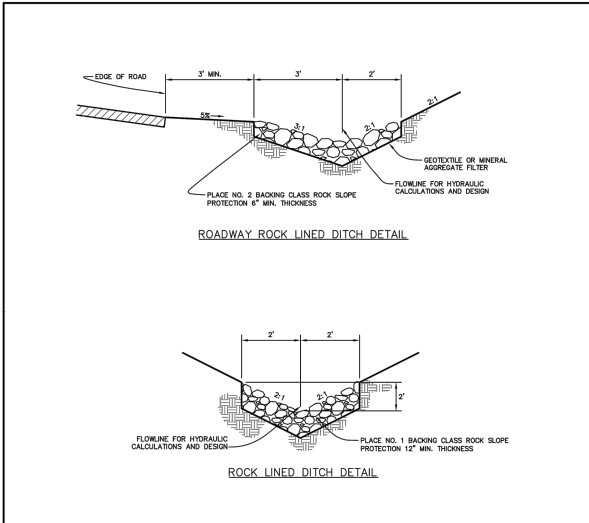
NOTES:

- ALL PORTLAND CEMENT CONCRETE SHALL BE PER CALTRANS SPECIFICATIONS, SECTION 78
- 3" x 18" LONG DIMS. MINIMUM 4 FT. CENTER TO CENTER SPACING, OR APPROX.
- PLACE 3" TRANSVERSE EXPANSION JOINTS OF ASPHALT IMPREGIATED CEMENT IN SIDEWALK CURB & GUTTER AT 20' INTERVALS. ALL CONCRETE TO BE CLASS 10" AND SCORED EVERY 10'.
- FOR TYPE 4 & 5 BARRIER CURBS LOCATE WEAKENED PLANE JOINTS AT 10' INTERVALS. USE 3" INTERVALS FOR RADE LESS THAN 25'
- ASPHALT CONCRETE SHALL BE CLASS B PER CALTRANS SPECIFICATIONS SECTION 78-3. SEE GENERAL NOTE PAGE
- AC DIKE TO BE USED EXISTING CONDITIONS WARRANT. TO BE USED WITH COUNTY ENGINEER'S APPROVAL.

EL DORADO COUNTY
 DEPARTMENT OF TRANSPORTATION
DESIGN STANDARDS

APPROVED: Scott Cladd 03/17/20

CONCRETE CURB & GUTTERS A.C. DIKE
STD. PLAN 104



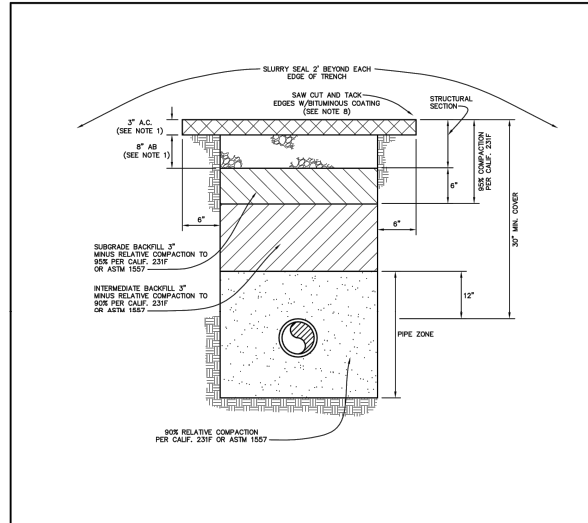
NOTES:

- ROCK LINED DITCHES ARE USED AS SPECIFIED IN EL DORADO COUNTY GRADING ORDINANCES
- ROCK LINING SHALL NOT BE HIGHER THAN ROADWAY OR ELEVATION OF SHOULDER
- WHERE A 6:1 SLOPE EXISTS, USE A MINIMUM OF 6" OR A MAXIMUM OF 18" SIZED ROCKS
- GROUT WILL BE USED WHEN ROCK SPACING IS PLACED ON FULL SLOPE. IF SLOPE ARE EXCEEDING 2:1, WITHIN 10 FEET OF A CALIBRT WITHIN A FLARED END SECTION, OR WHEN VELOCITIES EXCEEDS 15 FT. PER SECOND.
- THE ENDS OF BOTH THE ROCK LINED AND GROUTED ROCK LINED DITCHES TO BE KEPT IN A MINIMUM OF ONE FOOT.

EL DORADO COUNTY
 DEPARTMENT OF TRANSPORTATION
DESIGN STANDARDS

APPROVED: Scott Cladd 03/17/20

ROCK LINED DITCH
STD. PLAN 118



NOTES:

- STRUCTURAL SECTION SHALL BE 3" A.C. AND 8" AB MINIMUM, OR MATCH EXISTING THICKNESS
- FOUNING ON EXISTING NOT PERMITTED UNDER OR WITHIN 2' OF JETTING ROADWAY
- THE TRENCH WILL BE PAVED WITH ASPHALT WHEN ENTERING ROADWAY DITCHES AND OUTFITS WITH A GRADE OF SIX OR BETTER. AT TANKS, PAVE ALL TRENCHES ENTERING DITCHES.
- IN ROADWAY FILL STRENGTH THAN 4:1, THE OUTER EDGE OF TRENCH SHALL BE AT LEAST 18" FROM WHEEL POINT. FOR CABLE FLOWING OPERATIONS, IT SHALL BE 36".
- LONGITUDINAL PAVEMENT REPLACEMENT WILL BE FROM THE INNER OUTLINE TO THE EDGE OF THE EXISTING PAVEMENT. WHEN THE REMAINING PAVEMENT WIDTH WOULD BE LESS THAN 3 FEET, ON COLLECTOR ROADS, PAVEMENT SHALL BE REPLACED FROM CENTERLINE.
- REPLACE ALL OVERTURNED PAVEMENT MARKINGS
- ON COLLECTOR ROADS, INTERMEDIATE BACKFILL WILL BE 3/4" AB COMPACTED TO 95% A CONCRETE/SAND SLURRY (2 SACK) MAY BE USED IN PLACE OF 3/4" AB
- FINAL PAVEMENT REPLACEMENT WILL HAVE A UNIFORM WIDTH AND WILL BE APPROVED BY AN INSPECTOR BEFORE SAW CUTTING.
- SEE FURTHER CONDITIONS ATTACHED TO PERMIT.

EL DORADO COUNTY
 DEPARTMENT OF TRANSPORTATION
DESIGN STANDARDS

APPROVED: Scott Cladd 03/14/20

UNDERGROUND TRENCH DETAIL IN A.C. SECTIONS ONLY
STD. PLAN 119

PH. 1 - THOMPSON WAY & SHERMAN STREET
 UTILITY PLAN (CIP #42206 & #42208)
 DETAILS
 PLACERVILLE, CALIFORNIA



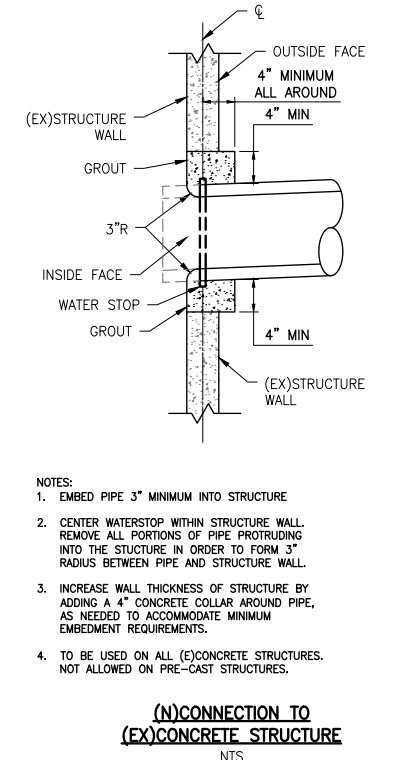
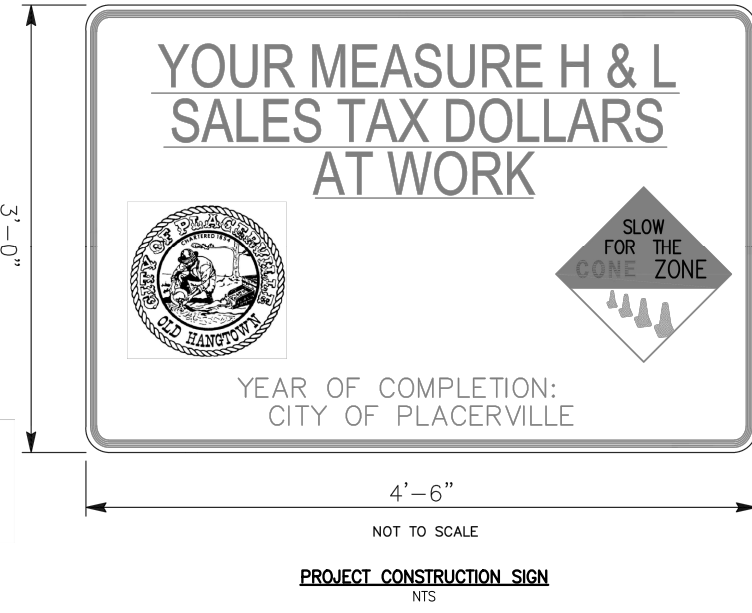
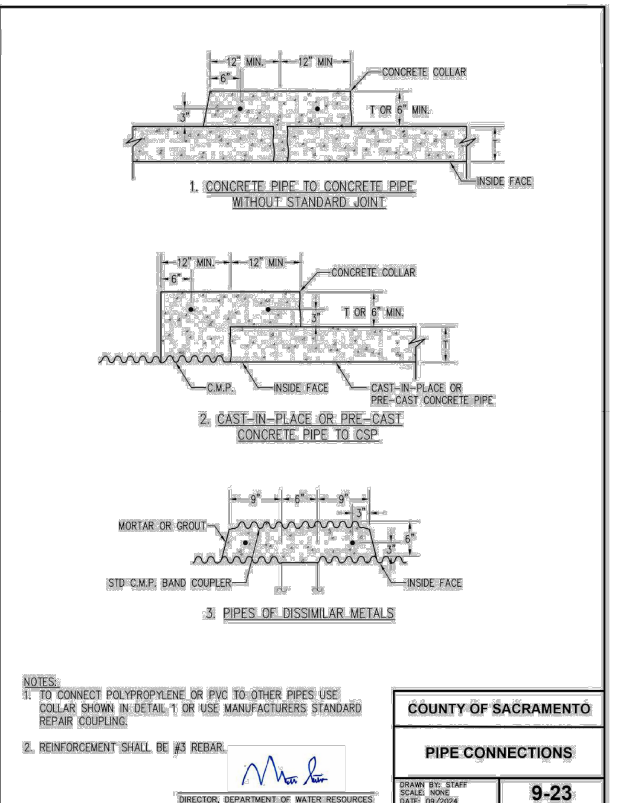
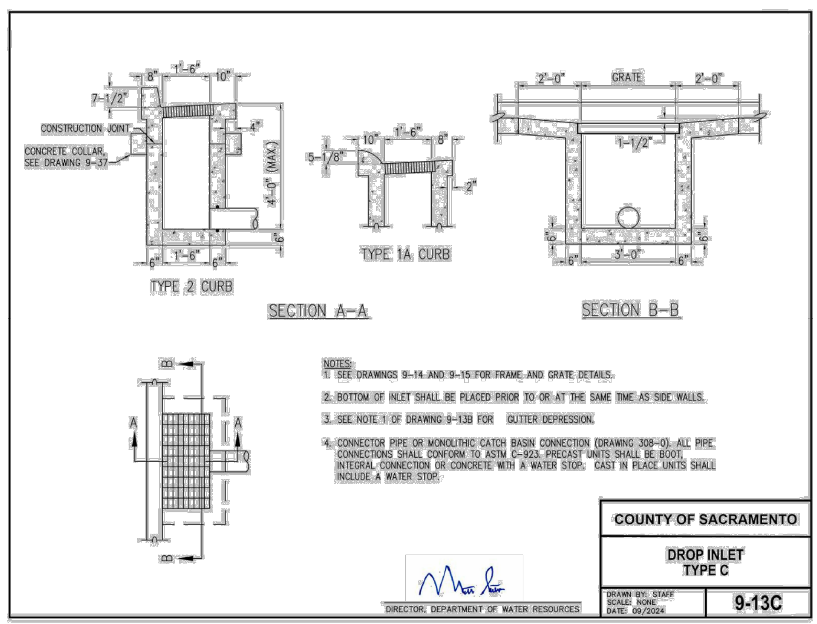
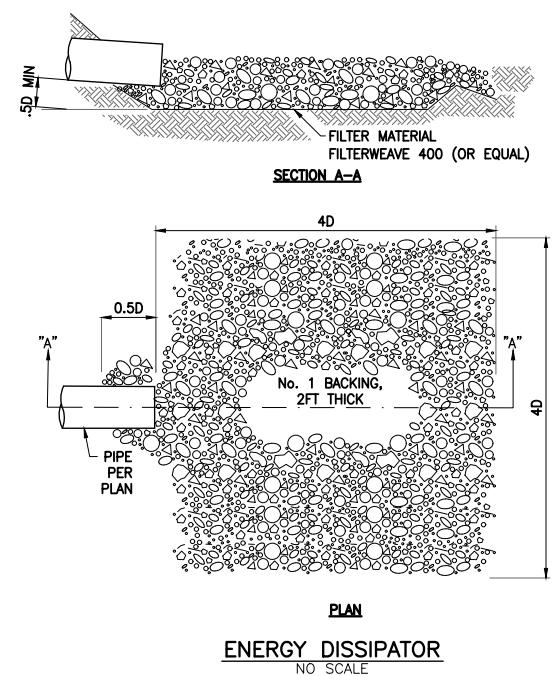
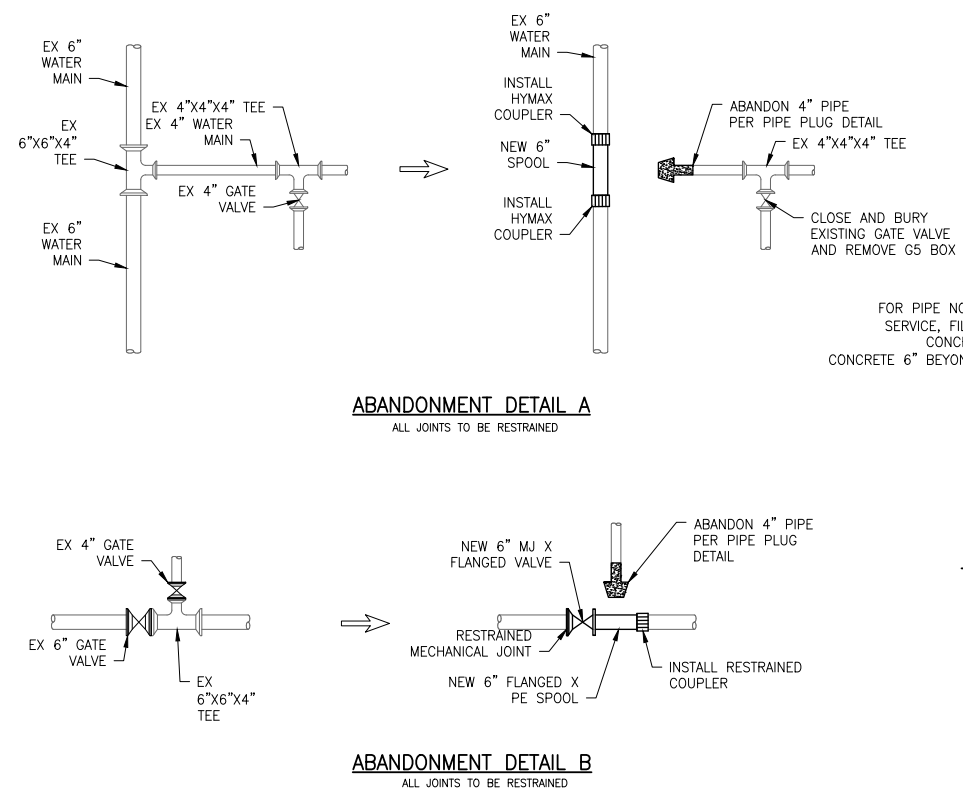
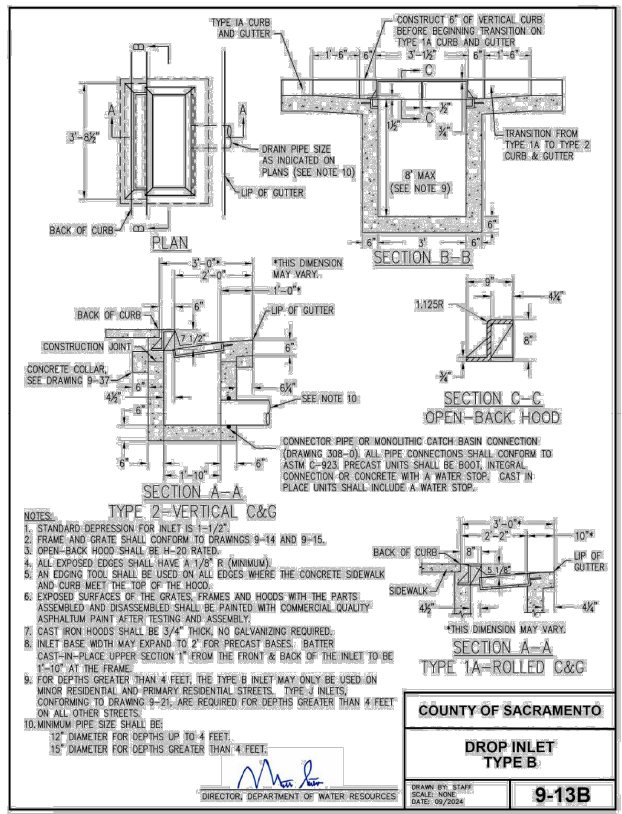
2525 EAST BIDWELL STREET
 FOLSOM, CA 95630
 916-638-8200
 rickengineering.com

JOB #: 20092-A
 DATE: 3/25/2025
 DESIGN: MAM
 CHK'D: FCA

SHEET NUMBER
 C04

SHEET No. 4
 OF 8

\cp\rickeng.com\projects\20092\20092-Placerville On-Call Services\20092-A-Thompson Way CIP 42206\Civil\PlanSets\Phase 1-Utility Plan\20092-A_Phase 1-033-C05-Details.dwg - plotted by: fadrius ON 2025-03-25 @ 20:11 - ctbrac_nca_v2.ctb - © 2025 Rick Engineering Company



811
Know what's below. Call before you dig.

PROFESSIONAL ENGINEER
STATE OF CALIFORNIA
LICENSE NO. 50625

NO.	REVISIONS	DATE	APPROVED

PH. 1 - THOMPSON WAY & SHERMAN STREET
UTILITY PLAN (CIP #42206 & #42208)
DETAILS
PLACERVILLE, CALIFORNIA

2525 EAST BIDWELL STREET
FOLSOM, CA 95630
916-638-8200
rickengineering.com

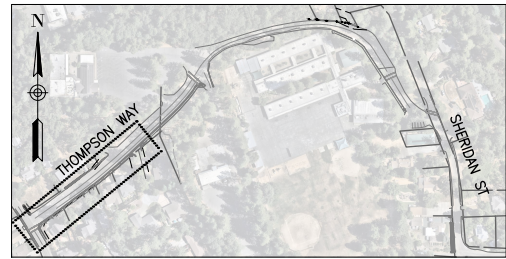
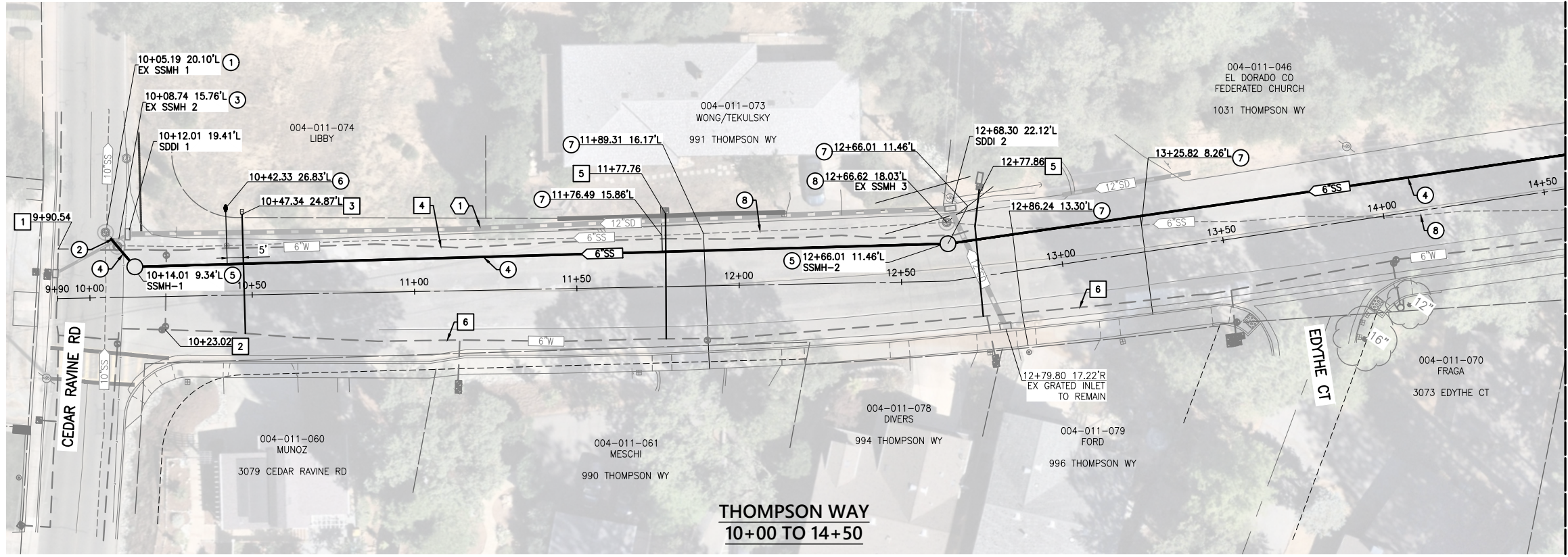
RICK

JOB #: 20092-A
DATE: 3/25/2025
DESIGN: MAM
CHK'D: FCA

SHEET NUMBER
C05

SHEET No. 5
OF 8

\\cp.rickeng.com\projects\20092\20092_Placeville On-Call Services\20092-A_Thompson Way CIP 42206\Civil\PlanSets\Phase 1-Utility Plan\20092-A_Phase 1-C06-C07-P&P\ThompsonWay.dwg - plotted by: fafrias ON 2025-03-25 @ 20:11 - ctbrec_ncs_v2.cb - © 2025 Rick Engineering Company



KEY MAP
NO SCALE

CONSTRUCTION NOTES

1. ALL RESIDENCES SHALL HAVE THE SEWER AND WATER SERVICE LATERALS RECONNECTED TO THE NEW 6" SEWER MAIN AND EX 6" WATER MAIN, RESPECTIVELY. ALL CONNECTIONS SHALL BE IN ACCORDANCE WITH EL DORADO IRRIGATION DISTRICT STANDARDS AND SPECIFICATIONS.
2. BEFORE EXCAVATING FOR THIS CONTRACT, THE CONTRACTOR SHALL VERIFY THE LOCATION AND DEPTH OF ALL UNDERGROUND UTILITIES WITH THE APPROPRIATE UTILITY COMPANY.
3. ALL DRAINAGE PIPE CONNECTIONS SHALL BE PER SACRAMENTO COUNTY DETAIL 9-23 ON SHEET C05.

SEWER NOTES

- 1 EX SEWER MANHOLE - PROTECT IN PLACE. DISCONNECT EX 6" SS PIPE. CONNECT NEW 6" SS PVC SDR26. MATCH EX INVERT. SEE CONNECTION DETAIL S09C ON SHEET C03.
- 2 REMOVE EX 6" SS BETWEEN EX SSMH1 AND EX SSMH2.
- 3 REMOVE EX SSMH2. FILL VOID WITH FILL MATERIAL CONFORMING WITH THE RECOMMENDATIONS IN THE GEOTECHNICAL REPORT.
- 4 INSTALL 6" SS PVC SDR26. CONSTRUCT TRENCH PER EL DORADO IRRIGATION DISTRICT DETAIL S07 ON SHEET C03.
- 5 CONSTRUCT 48" SSMH PER EL DORADO IRRIGATION DISTRICT DETAILS ON SHEET C03.
- 6 INSTALL NEW SS SERVICE LATERAL AND CONNECT TO NEW 6" SS MAIN PER EL DORADO IRRIGATION DISTRICT DETAIL S08 ON SHEET C03.
- 7 EXTEND/SHORTEN EX SS SERVICE LATERALS AND CONNECT TO NEW 6" SS MAIN/SSMH PER EL DORADO IRRIGATION DISTRICT DETAIL S08, S09C, S09D, AND S09E ON SHEET C03. VERIFY LOCATION AND ELEVATION.
- 8 ABANDON EX SS PER EL DORADO IRRIGATION DISTRICT TECHNICAL SPECIFICATIONS SECTION 330190.

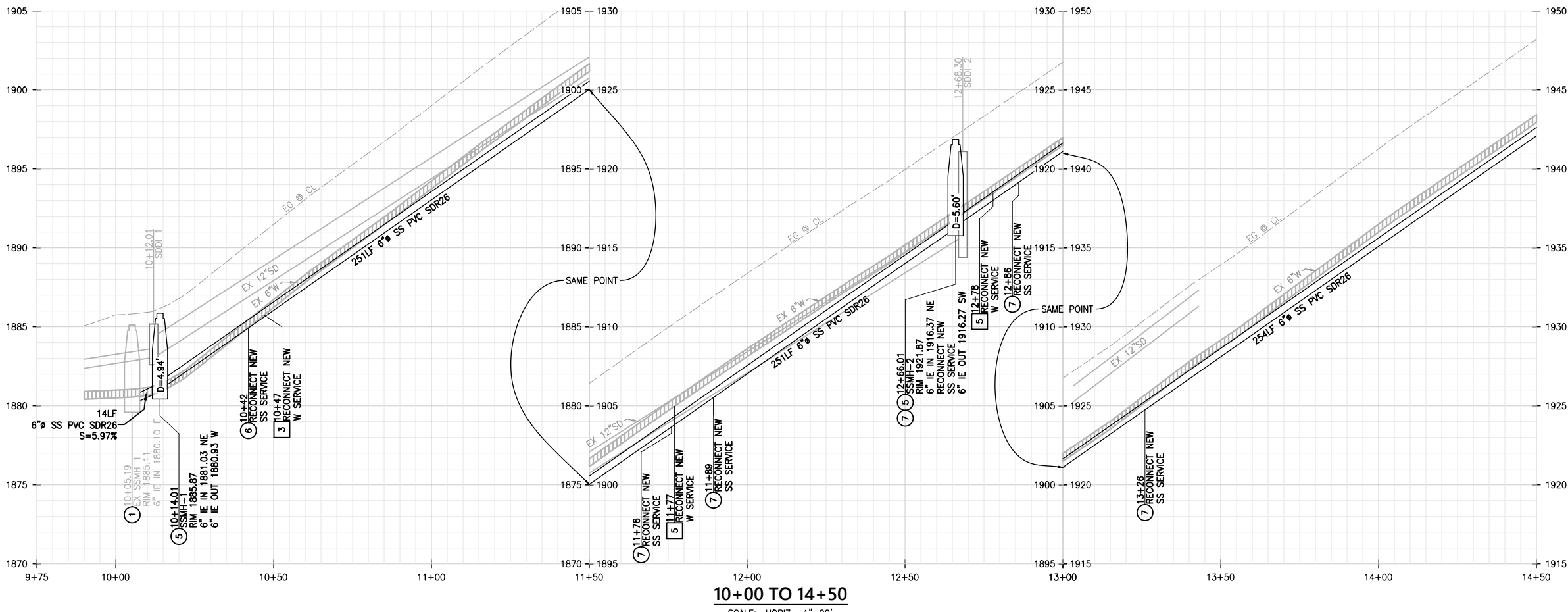
WATER NOTES

- 1 ABANDON WATERMAIN PER ABANDONMENT DETAIL A ON SHEET C05.
- 2 ABANDON WATERMAIN PER ABANDONMENT DETAIL B ON SHEET C05.
- 3 REMOVE EXISTING WATER SERVICE UP TO THE CORPORATION STOP AND INSTALL NEW 1" WATER SERVICE WITH METER BOX PER EL DORADO IRRIGATION DISTRICT DETAIL W20 ON SHEET C04.
- 4 ABANDON EX 6" WATER IN PLACE PER EL DORADO IRRIGATION DISTRICT TECHNICAL SPECIFICATIONS SECTION 330190.
- 5 REMOVE AND REPLACE EX WATER SERVICE LINE FROM ANGLE STOP IN METER BOX AND CONNECT TO EX 6" WATER PER EL DORADO IRRIGATION DISTRICT DETAIL W20 ON SHEET C04.
- 6 EX 6" WATER - PROTECT IN PLACE.

STORM DRAIN NOTES

- 1 INSTALL CIPP LINING IN SD RCP PER PROJECT SPECIFICATIONS.

SD PIPE DEFECTS TABLE		
STATION	DEFECT	REPAIR
10+12.01	SURFACE DAMAGE-GRATE INLET	PATCH DAMAGE
10+68.40	CRACKED PIPE	CIPP LINING
10+88.31	BROKEN PIPE	CIPP LINING
10+99.91	BROKEN PIPE	CIPP LINING
11+77.12	BROKEN PIPE	CIPP LINING
12+30.85	CRACKED PIPE	CIPP LINING
12+51.54	FRACTURED PIPE	CIPP LINING
12+68.31	FRACTURED PIPE	CIPP LINING



811
Know what's below. Call before you dig.

PLACEMENT OF UTILITY MARKERS

PH. 1 - THOMPSON WAY & SHERMAN STREET
UTILITY PLAN (CIP #42206 & #42208)
PLAN & PROFILE-THOMPSON WAY
PLACERVILLE, CALIFORNIA

2525 EAST BIDWELL STREET
FOLSOM, CA 95630
916-638-8200
rickengineering.com

RICK

JOB #: 20092-A
DATE: 3/25/2025
DESIGN: MAM
CHK'D: FCA

SHEET NUMBER
C06

SHEET NO. 6
OF 8

\\cp.rickeng.com\projects\C20000\20092-Placerville On-Call Services\20092-A_Thompson Way CIP 42206\Civil\PlanSets\Phase 1-Utility Plan\20092-A_Thompson Way CIP 42206 - P&P\ThompsonWay.dwg - plotted by: fafrias ON 2025-03-25 @ 20:11 - ctbrec_ncs_v2.cb - © 2025 Rick Engineering Company

CONSTRUCTION NOTES

- ALL RESIDENCES SHALL HAVE THE SEWER AND WATER SERVICE LATERALS RECONNECTED TO THE NEW 6" SEWER MAIN AND EX 6" WATER MAIN, RESPECTIVELY. ALL CONNECTIONS SHALL BE IN ACCORDANCE WITH EL DORADO IRRIGATION DISTRICT STANDARDS AND SPECIFICATIONS.
- BEFORE EXCAVATING FOR THIS CONTRACT, THE CONTRACTOR SHALL VERIFY THE LOCATION AND DEPTH OF ALL UNDERGROUND UTILITIES WITH THE APPROPRIATE UTILITY COMPANY.
- ALL DRAINAGE PIPE CONNECTIONS SHALL BE PER SACRAMENTO COUNTY DETAIL 9-23 ON SHEET C05.

SEWER NOTES

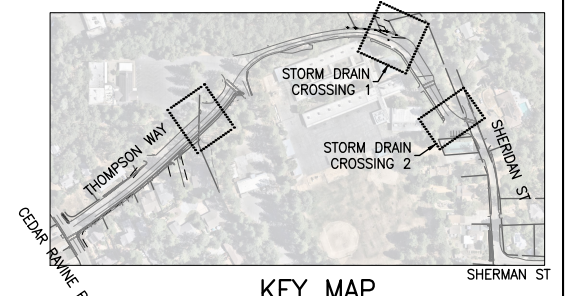
- INSTALL 6" SS PVC SDR26. CONSTRUCT TRENCH PER EL DORADO IRRIGATION DISTRICT DETAIL S07 ON SHEET C03.
- INSTALL NEW SS SERVICE LATERAL AND CONNECT TO NEW 6" SS MAIN PER EL DORADO IRRIGATION DISTRICT DETAIL S08 ON SHEET C03.
- ABANDON EX SS PER EL DORADO IRRIGATION DISTRICT TECHNICAL SPECIFICATIONS SECTION 330190.
- INSTALL SS FLUSHER BRANCH PER EL DORADO IRRIGATION DISTRICT DETAIL S10 ON SHEET C04.
- INSTALL SS 2-WAY CLEANOUT. CONNECT NEW 6" SS MAIN AND EX 6" SS TO CLEANOUT.
- EX 6" SS TO REMAIN.

STORM DRAIN NOTES

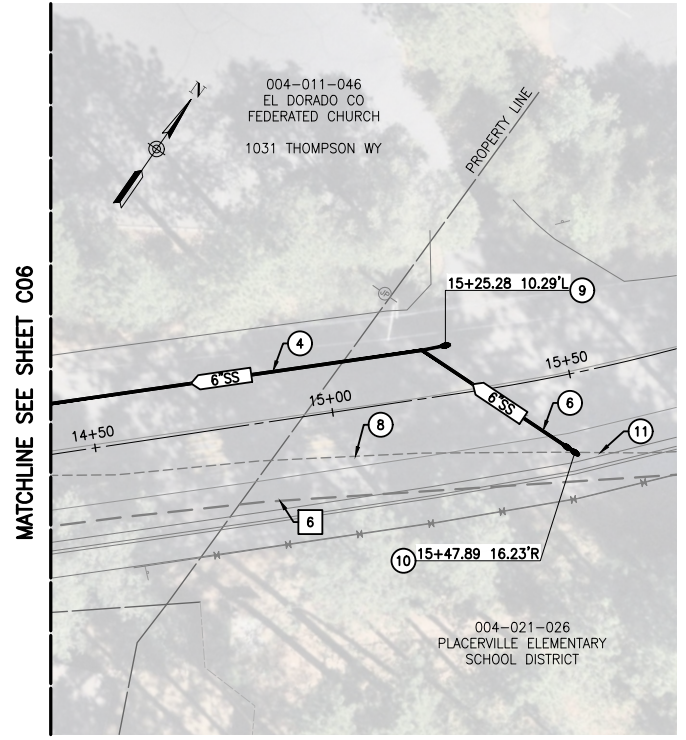
- CUT EX SD PIPE FROM SCHOOL AT CURB.
- REMOVE EX SD SYSTEM.
- CONSTRUCT TYPE B DROP INLET PER SACRAMENTO COUNTY DETAIL 9-13B ON SHEET C05.
- INSTALL 12" RCP. CONSTRUCT TRENCH PER EL DORADO COUNTY DETAIL 119 ON SHEET C04.
- PIPE OUTFALL. REGRADE EX DRAINAGE DITCH (APPROX 30LF) PER EL DORADO COUNTY DETAIL 118 ON SHEET C04 AND ENERGY DISSIPATOR DETAIL ON SHEET C05.
- EX SD RCP SHALL BE SPOT REPAIRED, APPROXIMATELY 3' FROM EXIST CATCH BASIN - 5 LINEAR FEET. USE SACRAMENTO COUNTY DETAIL 9-23 ON SHEET C05 FOR PIPE CONNECTIONS.

WATER NOTES

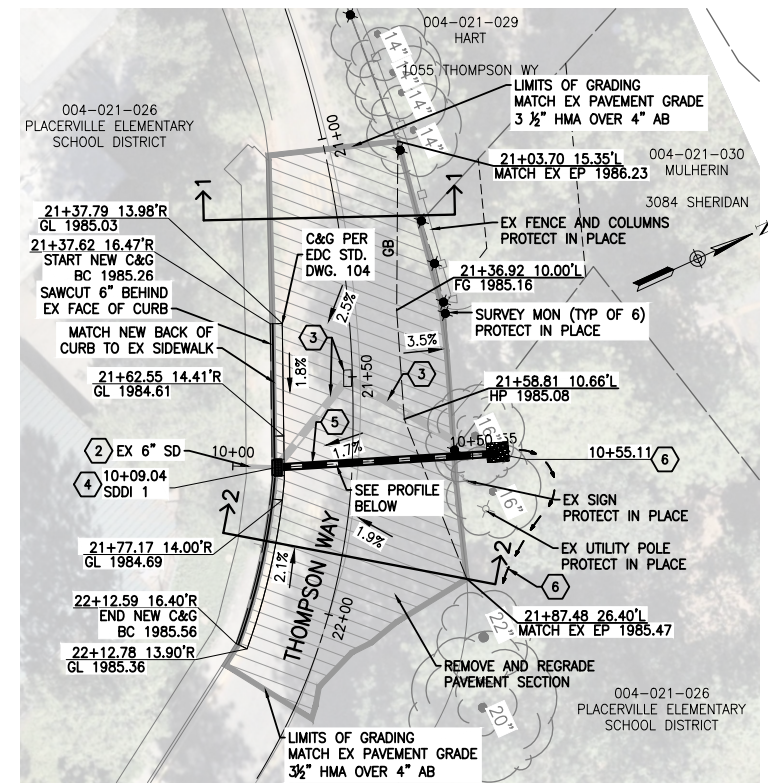
- EX 6" WATER - PROTECT IN PLACE.



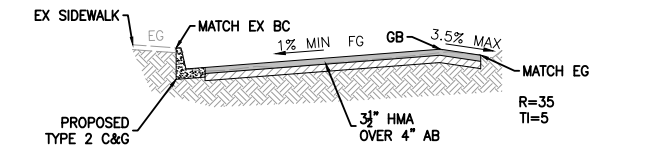
KEY MAP
NO SCALE



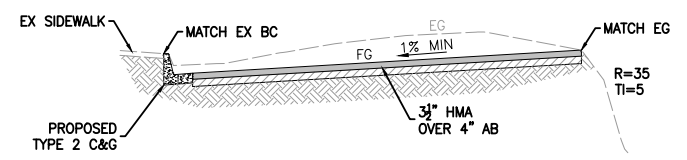
THOMPSON WAY
14+50 TO 15+50



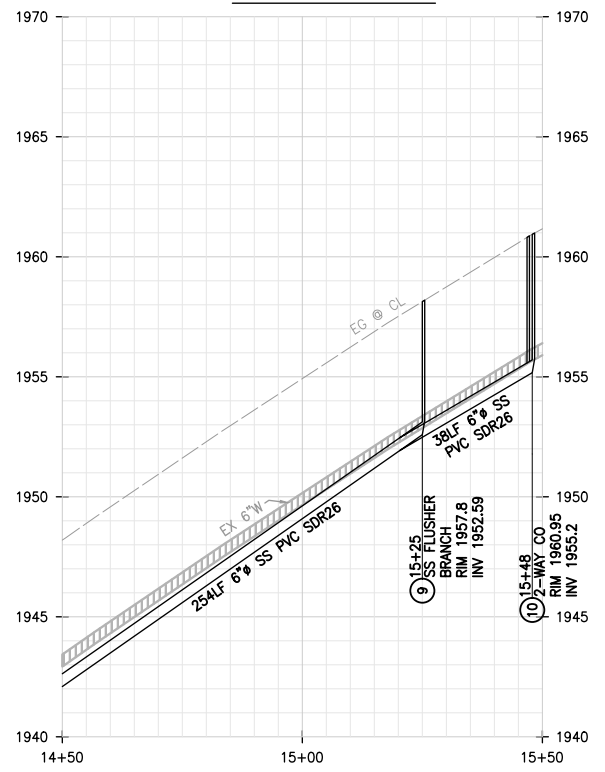
STORM DRAIN CROSSING 1



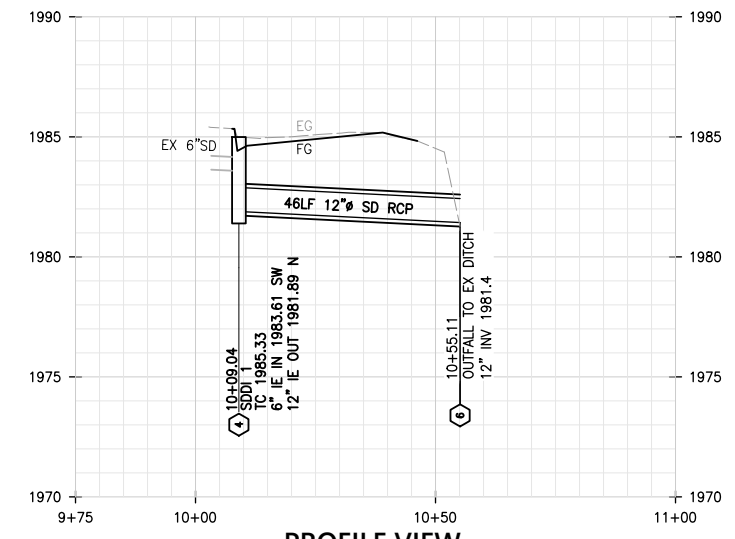
SECTION 1
NOT TO SCALE



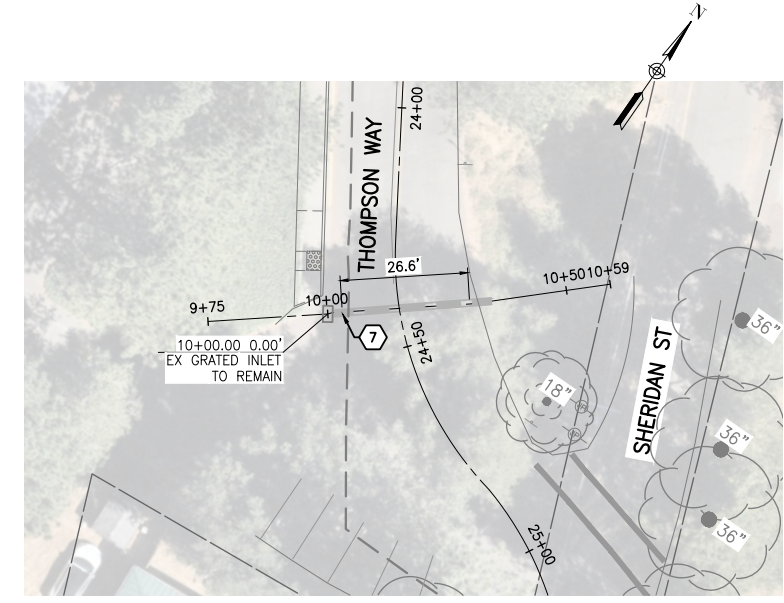
SECTION 2
NOT TO SCALE



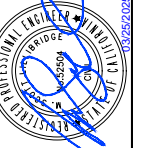
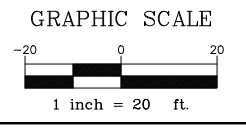
14+50 TO 15+50
SCALE: HORIZ. 1"=20'
VERT. 1"=4'



PROFILE VIEW
SCALE: HORIZ. 1"=20'
VERT. 1"=4'



STORM DRAIN CROSSING 2



NO.	REVISIONS	DATE	APPROVED

PH. 1 - THOMPSON WAY & SHERMAN STREET
UTILITY PLAN (CIP #42206 & #42208)
PLAN & PROFILE-THOMPSON WAY
PLACERVILLE, CALIFORNIA



2525 EAST BIDWELL STREET
FOLSOM, CA 95630
916-638-8200
rickengineering.com



JOB #: 20092-A
DATE: 3/25/2025
DESIGN: MAM
CHK'D: FCA

SHEET NUMBER
C07

SHEET NO. 7
OF 8

CONSTRUCTION NOTES

- ALL RESIDENCES SHALL HAVE THE SEWER AND WATER SERVICE LATERALS RECONNECTED TO THE NEW 6" SEWER MAIN AND EX 6" WATER MAIN, RESPECTIVELY. ALL CONNECTIONS SHALL BE IN ACCORDANCE WITH EL DORADO IRRIGATION DISTRICT STANDARDS AND SPECIFICATIONS.
- BEFORE EXCAVATING FOR THIS CONTRACT, THE CONTRACTOR SHALL VERIFY THE LOCATION AND DEPTH OF ALL UNDERGROUND UTILITIES WITH THE APPROPRIATE UTILITY COMPANY.
- ALL DRAINAGE PIPE CONNECTIONS SHALL BE PER SACRAMENTO COUNTY DETAIL 9-23 ON SHEET C05.

SEWER NOTES

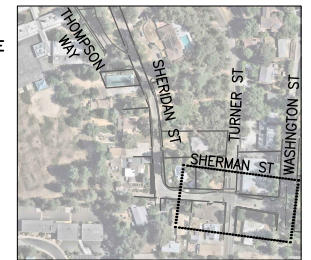
- EX SEWER MANHOLE - PROTECT IN PLACE. DISCONNECT EX 6" SS PIPE. CONNECT NEW 6" SS PVC SDR26. MATCH EX INVERT. SEE CONNECTION DETAIL S09C ON SHEET C03.
- INSTALL 6" PVC SDR26. CONSTRUCT TRENCH PER EL DORADO IRRIGATION DISTRICT DETAIL S07 ON SHEET C03.
- INSTALL NEW SS SERVICE LATERAL AND CONNECT TO NEW 6" SS MAIN PER EL DORADO IRRIGATION DISTRICT DETAIL S08 ON SHEET C03.
- EXTEND/SHORTEN EX SS SERVICE LATERALS AND CONNECT TO NEW 6" SS MAIN/SSMH PER EL DORADO IRRIGATION DISTRICT DETAIL S08, S09C, S09D, AND S09E ON SHEET C03. VERIFY LOCATION AND ELEVATION.
- ABANDON EX SS PER EL DORADO IRRIGATION DISTRICT TECHNICAL SPECIFICATIONS SECTION 330190.

WATER NOTES

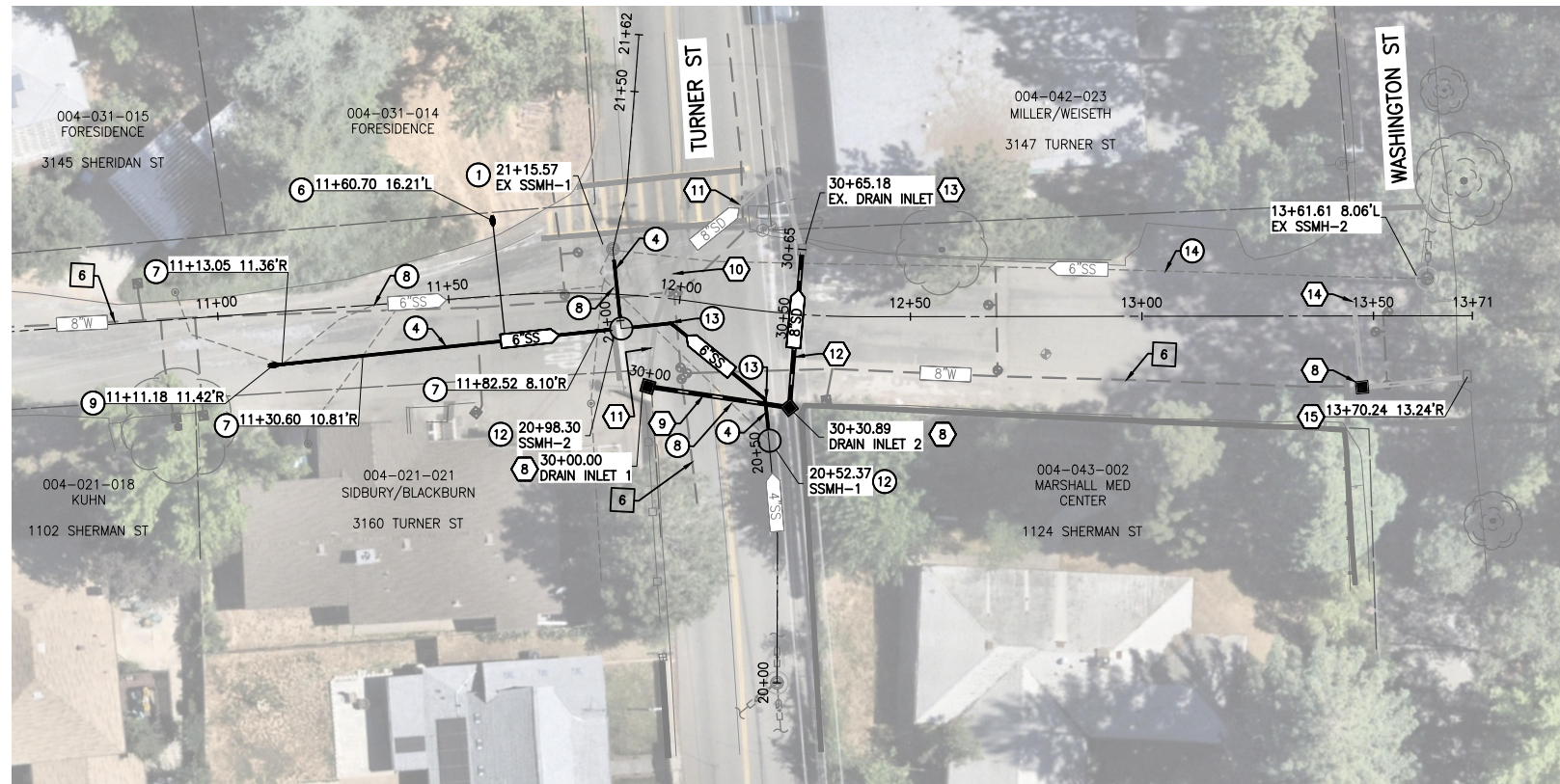
- EX 6" WATER - PROTECT IN PLACE.

STORM DRAIN NOTES

- EX SD RCP SHALL BE SPOT REPAIRED, AS NOTED IN THE TABLE BELOW. INSTALL CAST-IN-PLACE TYPE C DRAIN INLET PER SACRAMENTO COUNTY DETAIL 9-13C ON SHEET C05.
- INSTALL 8" PVC SDR26. CONSTRUCT TRENCH PER EL DORADO IRRIGATION DISTRICT DETAIL S07 ON SHEET C03.
- REMOVE SECTION OF THE EX 8" SD IN CONFLICT WITH NEW SSMH2. FILL VOID WITH FILL MATERIAL CONFORMING WITH THE RECOMMENDATIONS IN THE GEOTECHNICAL REPORT.
- ABANDON EX 8" SD PER EL DORADO IRRIGATION DISTRICT TECHNICAL SPEC 330190.
- REMOVE AND REPLACE EX 8" SD WITH 8" PVC SDR26. RECONNECT TO EX DOWNSTREAM DRAIN INLET.
- EX DRAIN INLET - PROTECT IN PLACE. DISCONNECT EX 8" SD PIPE. CONNECT NEW 8" SD PVC SDR26. MATCH EX INVERT. SEE CONNECTION DETAIL ON SHEET C05.
- EX SD RCP SHALL BE SPOT REPAIRED, AS NOTED IN THE TABLE BELOW - 10 LINEAR FEET. USE SACRAMENTO COUNTY DETAIL 9-23 ON SHEET C05 FOR PIPE CONNECTION.
- EX DRAIN INLET - PROTECT IN PLACE.

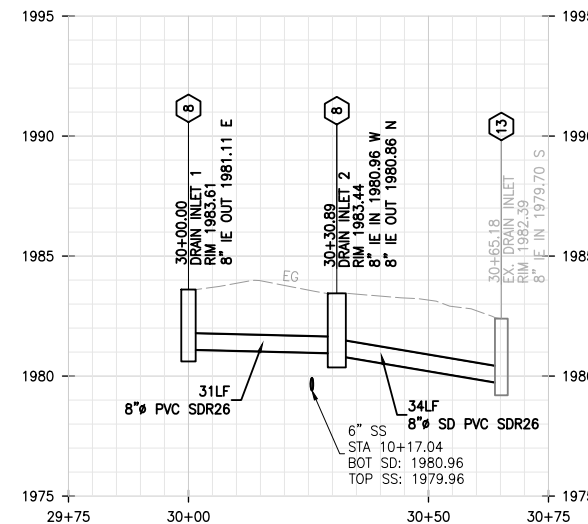


KEY MAP
NO SCALE



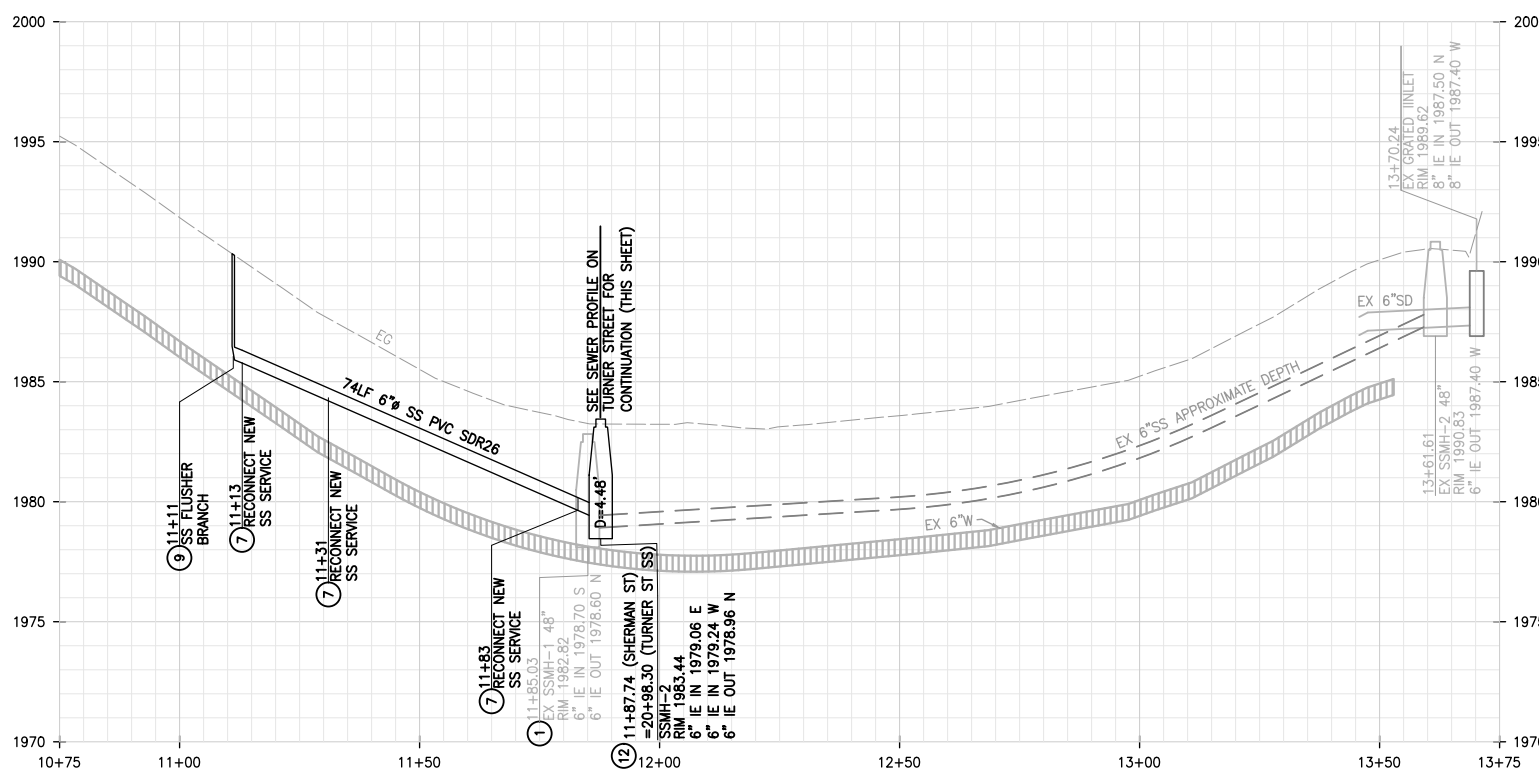
PLAN VIEW
SHERMAN ST

STATION	DEFECT	REPAIR
13+47 15'R	BROKEN PIPE/DEBRIS DEPOSITS	CONSTRUCT TYPE C DRAIN INLET
13+45 3.1'L	BROKEN PIPE	REPAIR PIPE SECTION



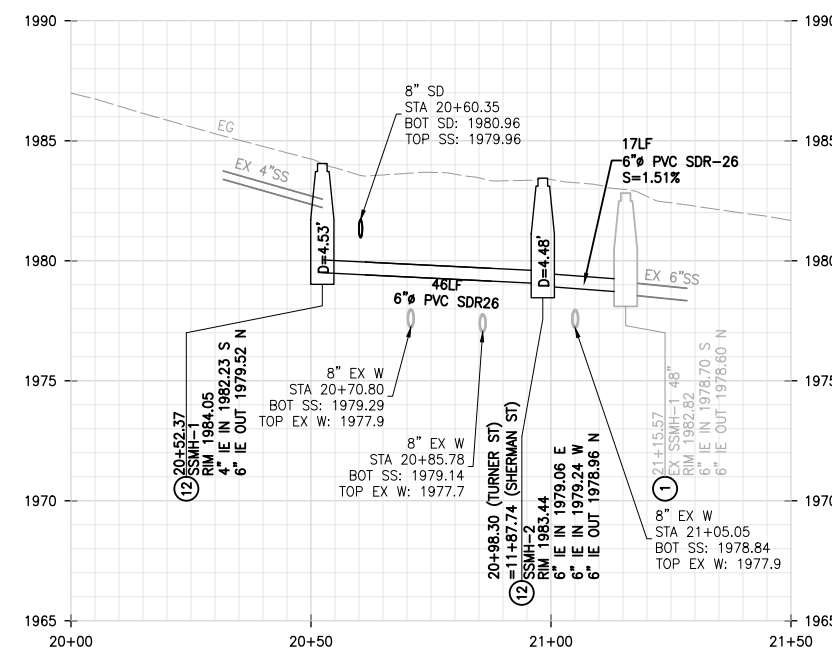
TURNER STREET STORM DRAIN PROFILE VIEW

SCALE: HORIZ. 1"=20'
VERT. 1"=4'



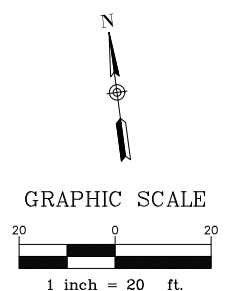
PROFILE VIEW

SCALE: HORIZ. 1"=20'
VERT. 1"=4'



TURNER STREET SANITARY SEWER PROFILE VIEW

SCALE: HORIZ. 1"=20'
VERT. 1"=4'



NO.	REVISIONS	DATE	APPROVED

PH. 1 - THOMPSON WAY & SHERMAN STREET
UTILITY PLAN (CIP #42206 & #42208)
PLAN & PROFILE-SHERMAN STREET
PLACERVILLE, CALIFORNIA



2525 EAST BIDWELL STREET
FOLSOM, CA 95630
916-638-8200
rickengineering.com

JOB #: 20092-A
DATE: 3/25/2025
DESIGN: MAM
CHK'D: FCA

SHEET NUMBER
C08

SHEET NO. 8
OF 8

\\cp.rickeng.com\projects\C20000\20092_Placerville On-Call Services\20092_A\Thompson Way CIP 42206\Civil\PlanSets\Phase 1-Utility Plan\20092_A\Phase 1-C08-P&P\ShermanSt.dwg - plotted by: faarias ON 2025-03-25 @ 20:11 - ctbrec_ncs_v2.cib - © 2025 Rick Engineering Company